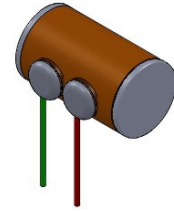


Description

Inductive pick-up coil for use in hearing instruments.

Features

- Highly durable coating
- Small size
- High sensitivity



Electrical data

Measuring conditions: Temperature 23°C (73.4F) ± 5°C (64.4F-82.4F)

Parameters	Min	Typ	Max	Unit	Comments
DC resistance	2466	2740	3014	Ohm	
Inductance @ 1 kHz	338	398	458	mH	
O.C. 1 kHz sensitivity	-59.3	-57.8	-56.3	dBV/A/m	
10 kOhm load 1 kHz sensitivity	-61.6	-60.1	-58.6	dBV/A/m	
Resonance frequency	60			kHz	
Winding sense	North positive				

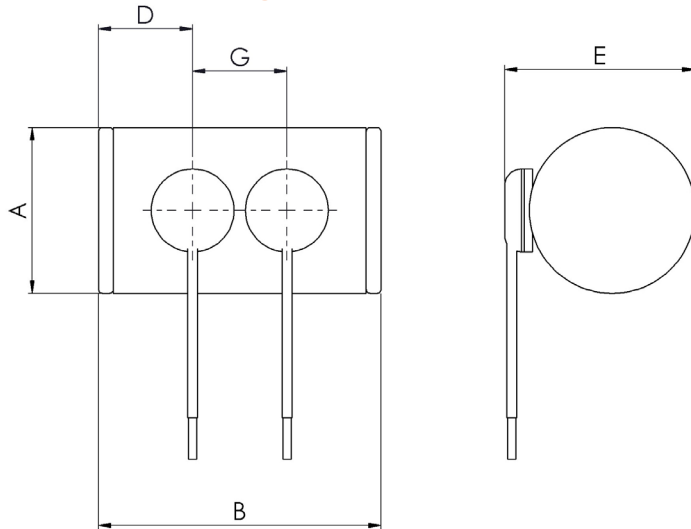
Lead wires

Start lead description: Green, 51mm, #34 AWG (Ø 0.160mm), solid Cu with PU coating, 0.7mm Ag plated

Finish lead description: Red, 51mm, #34 AWG (Ø 0.160mm), solid Cu with PU coating, 0.7mm Ag plated

Lead wire length measured from solder pad

Product drawing - Dimensions in mm [inch]



Mechanical data

Dimensions	in mm	in inch
Dimension A max.	2.8	0.110
Dimension B max.	3.85	0.152
Dimension D max.	0.75	0.030
Dimension E max.	2.8	0.110
Dimension G max.	2.4	0.094

Sonion reserves the right to make changes at any time to improve reliability, function or design, in order to provide the best product possible.