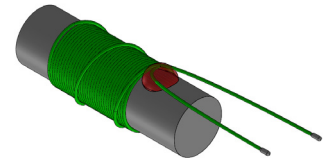


Description

Communication coil for Near Field Magnetic Induction (NFMI). NFMI enables wireless ear to ear communication in earbuds or similar applications.



Features

- Small size
- High sensitivity

Material specifications

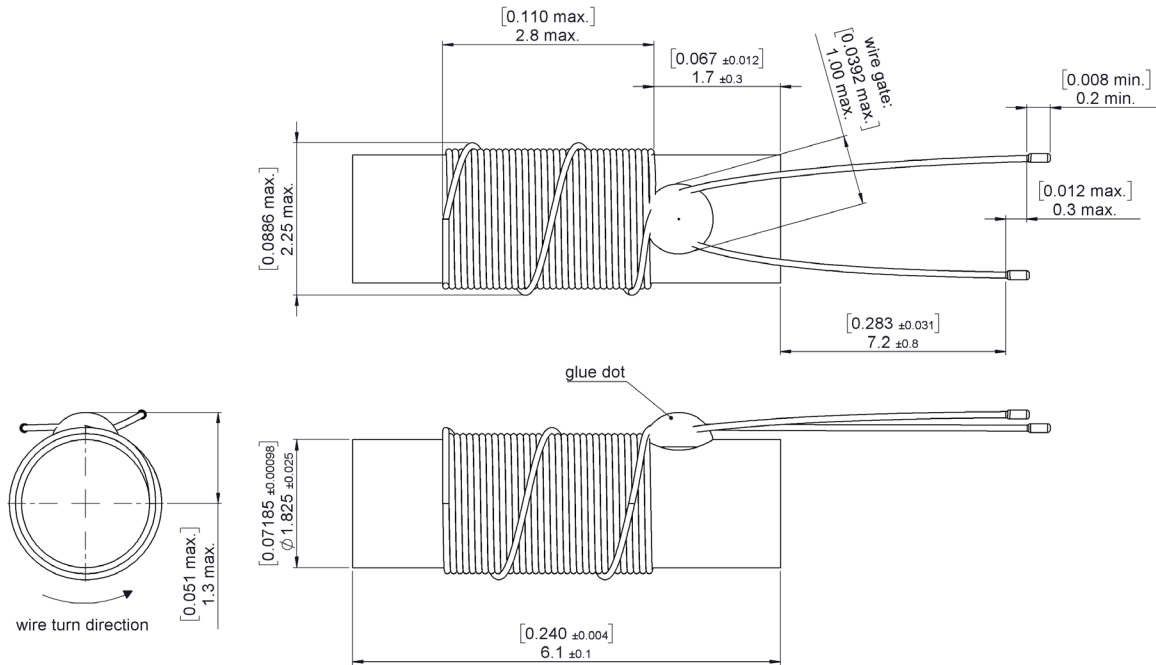
Core: Ferrite
Wire: Litz wire

Specifications

Measuring conditions: Temperature 23°C (73.4F) ± 5°C (64.4F-82.4F)

Parameters	Value	Unit	Comments
Nominal inductance L	3.7	μH	
Inductance L tolerance	5	%	
Q factor	>100		Vosc = 500 mV; F = 10 MHz
1st self-resonance frequency	>40	MHz	

Product drawing - Dimensions in mm [inch]



Sonion reserves the right to make changes at any time to improve reliability, function or design, in order to provide the best product possible.