



# Trimmers Model PJ 30



## Features

- Vertical mounting
- Different rotors available
- Accurate tapers. Linear, logarithmic, double logarithmic and custom-made
- Customer specified electrical resistance values and tolerances

## Contents

1. History Revision.....	3
2. Mechanical Specifications.....	4
3. Electrical Specifications.....	4
4. Material Specifications.....	4
5. Environmental Conditions.....	4
6. Recommended Process Parameters.....	5
7. Mechanical Dimensions.....	5
8. Rotor Styles.....	6
9. Color Coding.....	8
10. Product Specification Form.....	9

Sonion reserves the right to make changes at any time to improve reliability, function or design, in order to provide the best product possible.

## 1. History Revision

Revision Number/Date	Change from last revision
<b>06 / Jan. 02</b>	History Revision added. Metal parts gold flash plated
<b>07 / Apr. 08</b>	Storage humidity added. Operational temperature and humidity removed. New data sheet design. New lay-out.
<b>MT1033.A (07/08)</b>	Minimum resistance value on linear tapers increased to 200 $\Omega$ .
<b>008/JUL-16-2009</b>	No technical updates
<b>009/2014-01-10</b>	Updated design and new RoHS logo directive (2011/65/EU)

## 2. Mechanical Specifications

Rotational angle, mechanical	260° ±3°
Resistance curve angle	230°
End stop torque	Min. 150 cNcm
Rotational torque	Max. 35 cNcm
Lifetime	Min. 5,000 cycles

## 3. Electrical Specifications

Resistance value	
Linear	200 Ω to 1 MΩ
Logarithmic	500 Ω to 600 kΩ
Double logarithmic	2 kΩ to 500 kΩ
Resistance value tolerance	±20% (-20% to +30% for values ≤ 1 kΩ)
Resistance taper	See 'Tapers Data Sheet'
Wiper contact resistance	Typ. better than 20 dB rel. R
Potentiometer max. load	10 mW

## 4. Material Specifications

All materials comply with RoHS directive (2011/65/EU)

Terminals	Cu, gold flash plated
Other metal parts	CuZn and CuBe, gold flash plated
Carbon track base	Glass epoxy composite
Resistance material	Carbon/silver composite

Lubricant, glue / seal, and paint specifications are proprietary information.

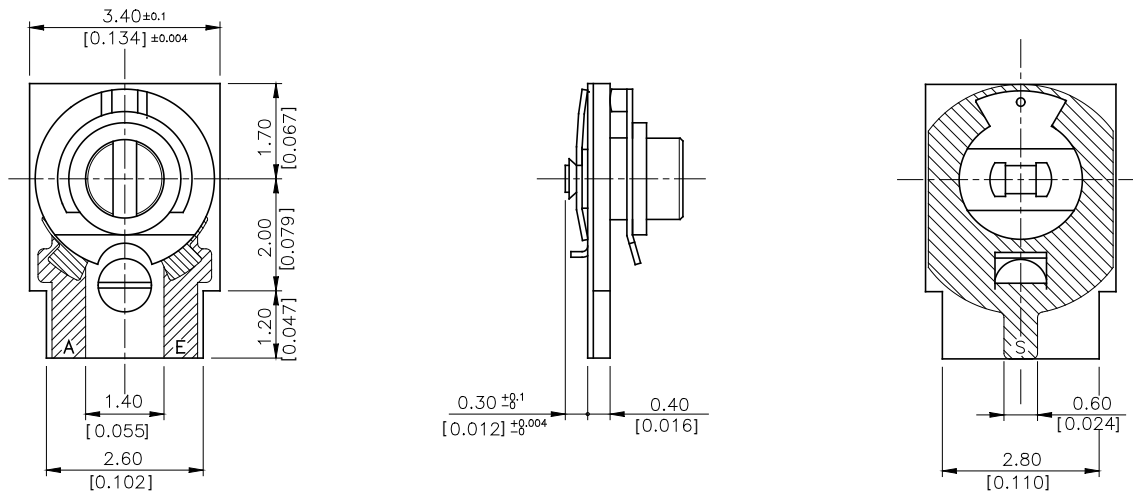
## 5. Environmental Conditions

Storage temperature	-40 to + 60°C
Storage humidity	10 to 95% RH

## 6. Recommended Process Parameters

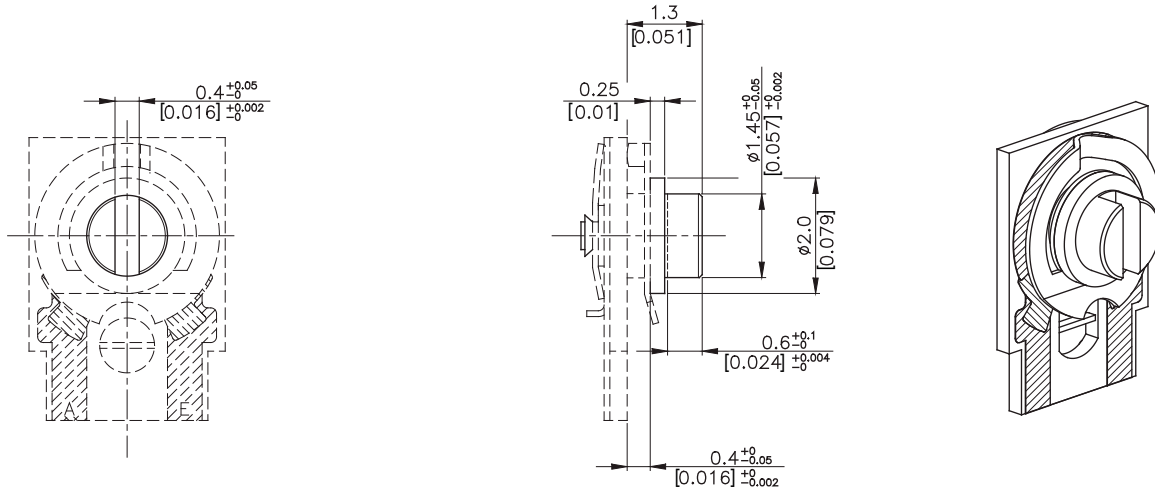
Soldering	
<b>Soldering temperature and time</b>	300°C [572°F] for 3 s or 350°C [662°F] for 1 s  <b>To prevent damage to the carbon taper as a result of the soldering process, the knob must be turned either fully CW or CCW. Exceeding temperature, time and distance recommendations may damage the component.</b>
Cleaning	
<b>Cleaning solvents</b>	Aqua wash (Alpha 2110), Benzine  <b>Ultrasonic cleaning must be avoided as it may remove the lubricant.</b>

## 7. Mechanical Dimensions

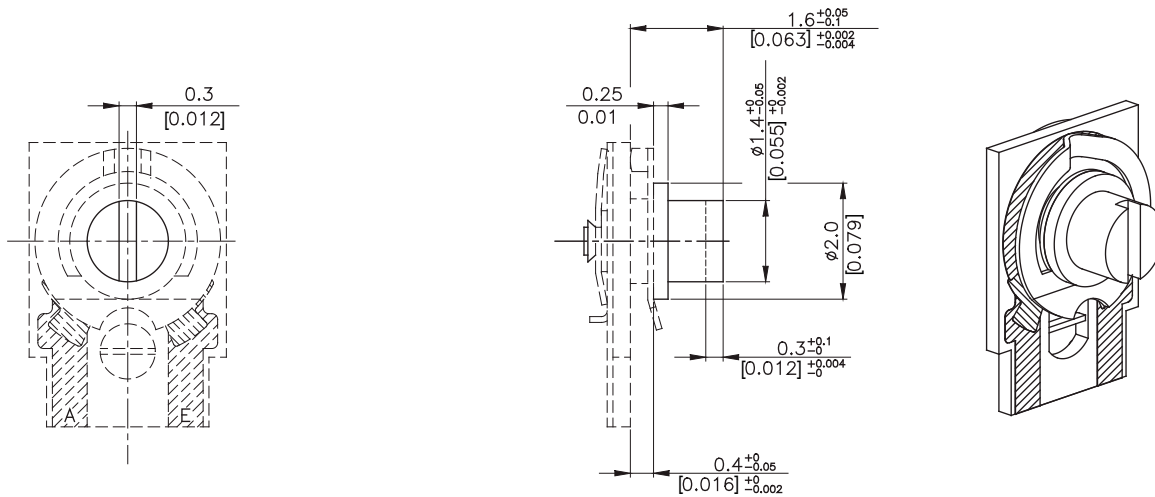


## 8. Rotor Styles

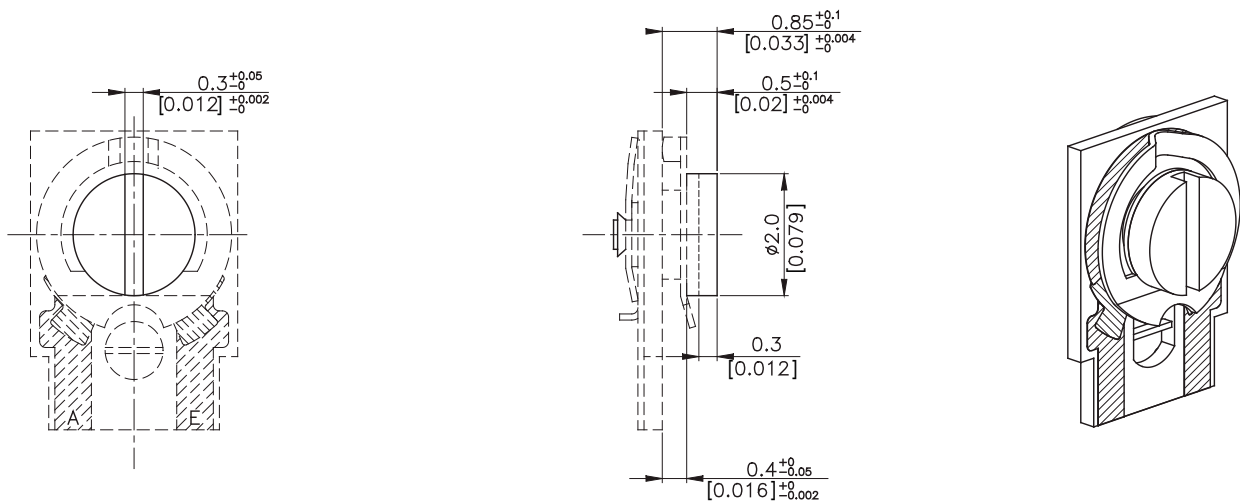
### No. 01



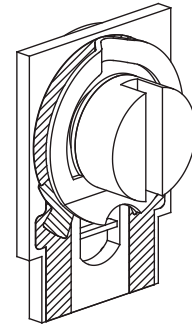
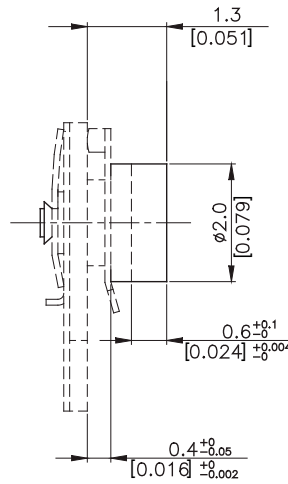
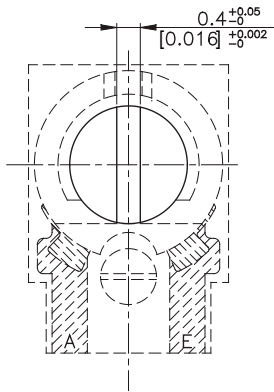
### No. 02



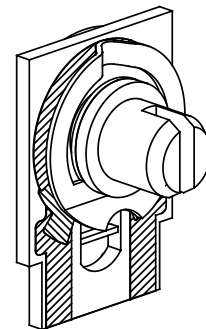
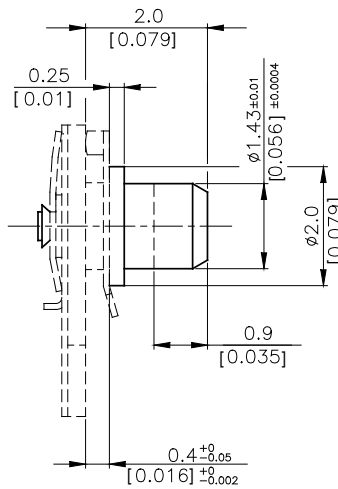
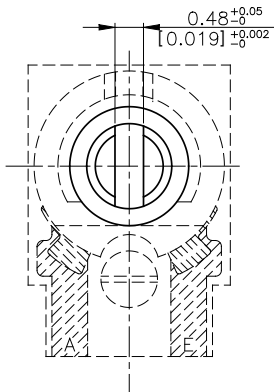
### No. 03



## No. 04

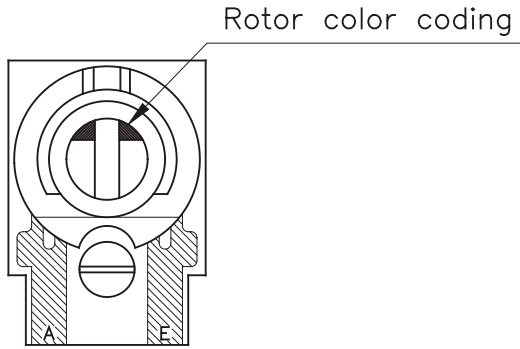


## No. 05

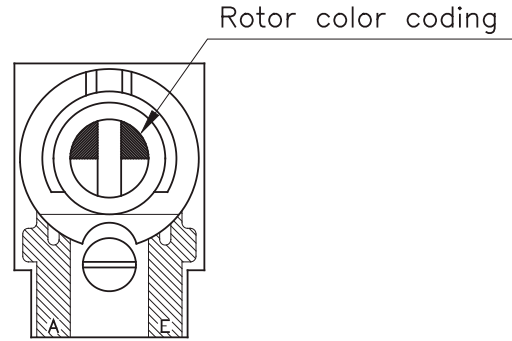


## 9. Color Coding

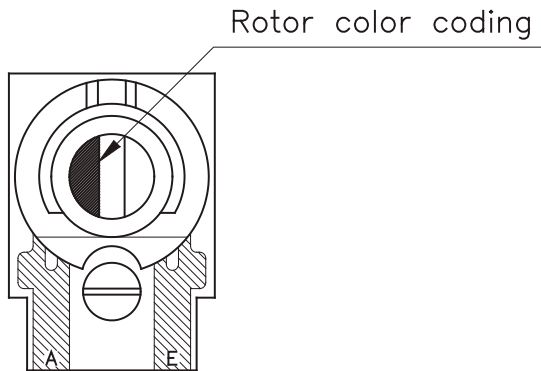
Style No. 01



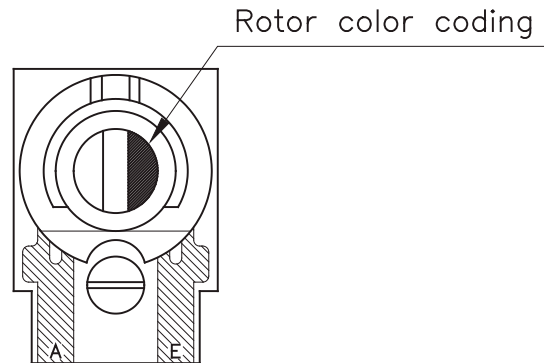
Style No. 02



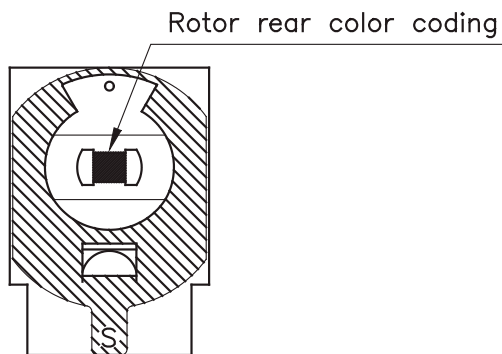
Style No. 03



Style No. 04



### Rotor Rear Color Coding Location



Please refer to colors for coding included in the Sonion 'Plastic Color Assortment' binder



## 10. Product Specification Form

Name \_\_\_\_\_

Company \_\_\_\_\_

Customer Part No. \_\_\_\_\_

Parameters	Look at Page	Enter your choices	Guidelines
<b>Model</b>	2	PJ 30	
<b>Rotor Styles</b>	6-7		
<b>Color Coding</b>	8		Rotor Front color coding Choose style and color Please refer to colors for coding included in the Sonion 'Plastic Color Assortment' binder
			Rotor Rear color coding Please refer to colors for coding included in the Sonion 'Plastic Color Assortment' binder
<b>Resistance Value</b>			Please see 'Electrical Specifications' and Tapers Data Sheet
<b>Resistance Taper</b>			Please see 'Electrical Specifications' and Tapers Data Sheet