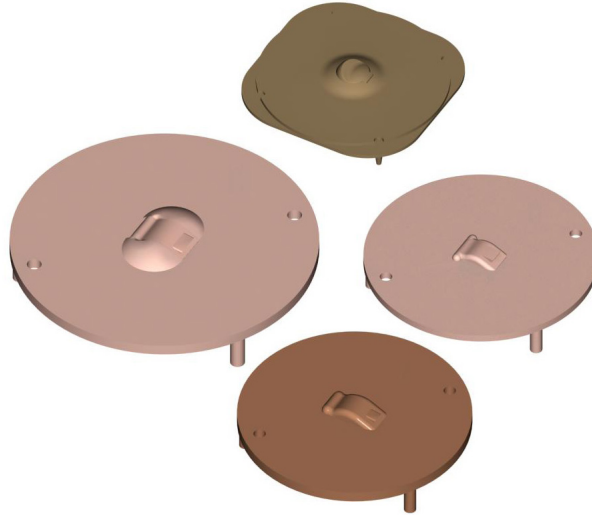


Faceplates Series Model 7A/10IS/12IS/13IS



Features

- Left and right ear applications
- Integrated On/Off switch in the Faceplate assembly (FP 7A)
- FP 10IS, 12IS & 13IS are available for the Insert
- Socket Module CS 73/74

Contents

1. History Revision	3
2. Mechanical Specifications	4
3. Material Specifications	4
4. Environmental Conditions	4
5. Recommended Process Parameters	4
6. Mechanical Dimensions	5
7. Plastic Colors	12
8. Product Specification Form	13

Sonion reserves the right to make changes at any time to improve reliability, function or design, in order to provide the best product possible.

1. History Revision

Revision Number/Date	Change from last revision
10 / May 02	History Revision added. FP 6A and 8A have been removed
11 / May 08	Operational temperature and humidity removed. New data sheet design. New lay-out.
MT1010.A (07/08)	No technical updates
012/JUL-22-2009	No technical updates
013/FEB-14-2011	FP 7A No. 01 update of dimensions and design. FP 7A No. 02 discontinued.
014/JUL-13-2011	Storage humidity added.
015/2014-01-10	Updated design and new RoHS logo directive (2011/65/EU)
016/2019-09-11	Change of storage temperature and humidity (CR3860)

2. Mechanical Specifications

Battery size	
FP 7A	10A
FP 10IS	10A
FP 12IS	312
FP 13IS	13

FP 10IS/12IS/13IS battery door marked with red "+" sign

Battery Door operational lifetime	Min. 2,000 cycles Open/Close
-----------------------------------	------------------------------

3. Material Specifications

All materials comply with RoHS directive (2011/65/EU)

Metal parts	
Battery spring	
FP 7A	Spring steel, gold plated
FP 10IS, 12IS, 13IS	Stainless steel, nickel/gold plated
	Hinge pin
FP 10IS, 12IS, 13IS	Stainless steel
Plastic parts	Glueable thermoplastic material

Lubricant, glue / seal, and paint specifications are proprietary information.

4. Environmental Conditions

Storage	
Temperature	25°C
Humidity	60% RH
Purpose is to protect from high humidity and keep at driest condition as possible	

5. Recommended Process Parameters

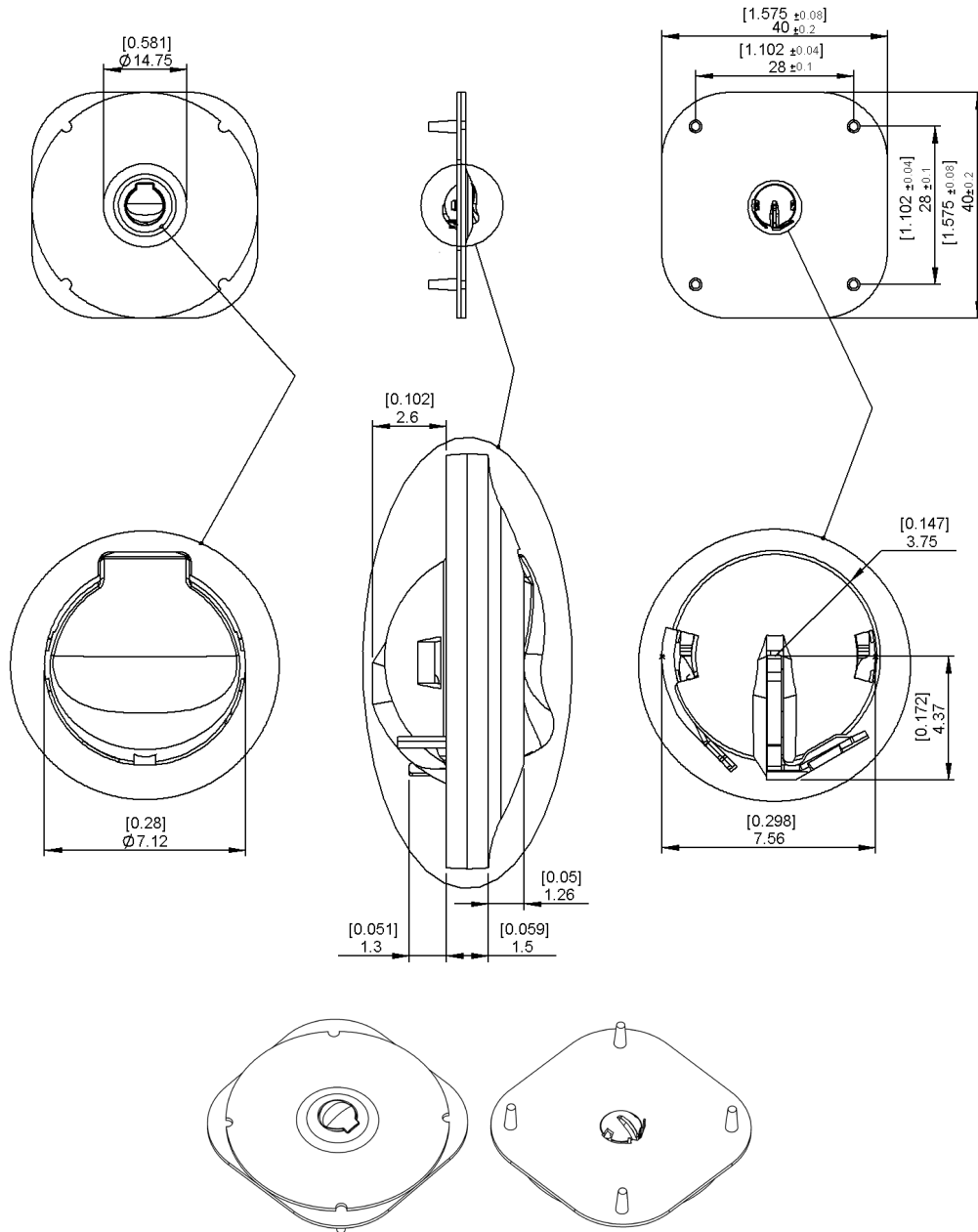
Gluing	
Types of glue	Cyanoacrylates (non-blooming) , i.e. Loctite 401, 408, 460 and Sicomet 50, 63, 77
	Non-blooming types must be used to ensure that residuals from the curing process do not degrade the component.
Cleaning	
Cleaning solvents	Aqua wash (Alpha 2110), Benzine
	Do not use alcohol-based solvents

6. Mechanical Dimensions

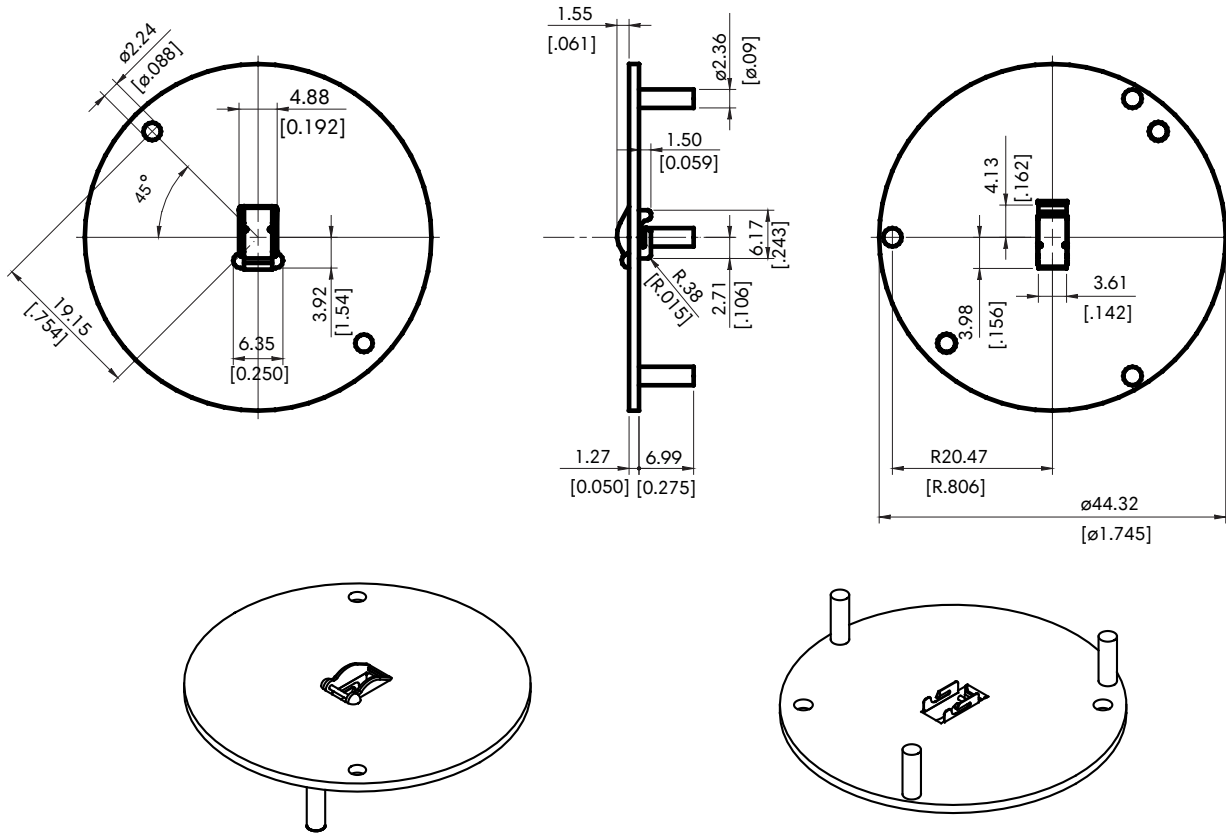
Note:

The standard measurement tolerance on the drawings is ± 0.05 mm/[0.002"]. Tolerances which differ from this value will be indicated on the drawings.

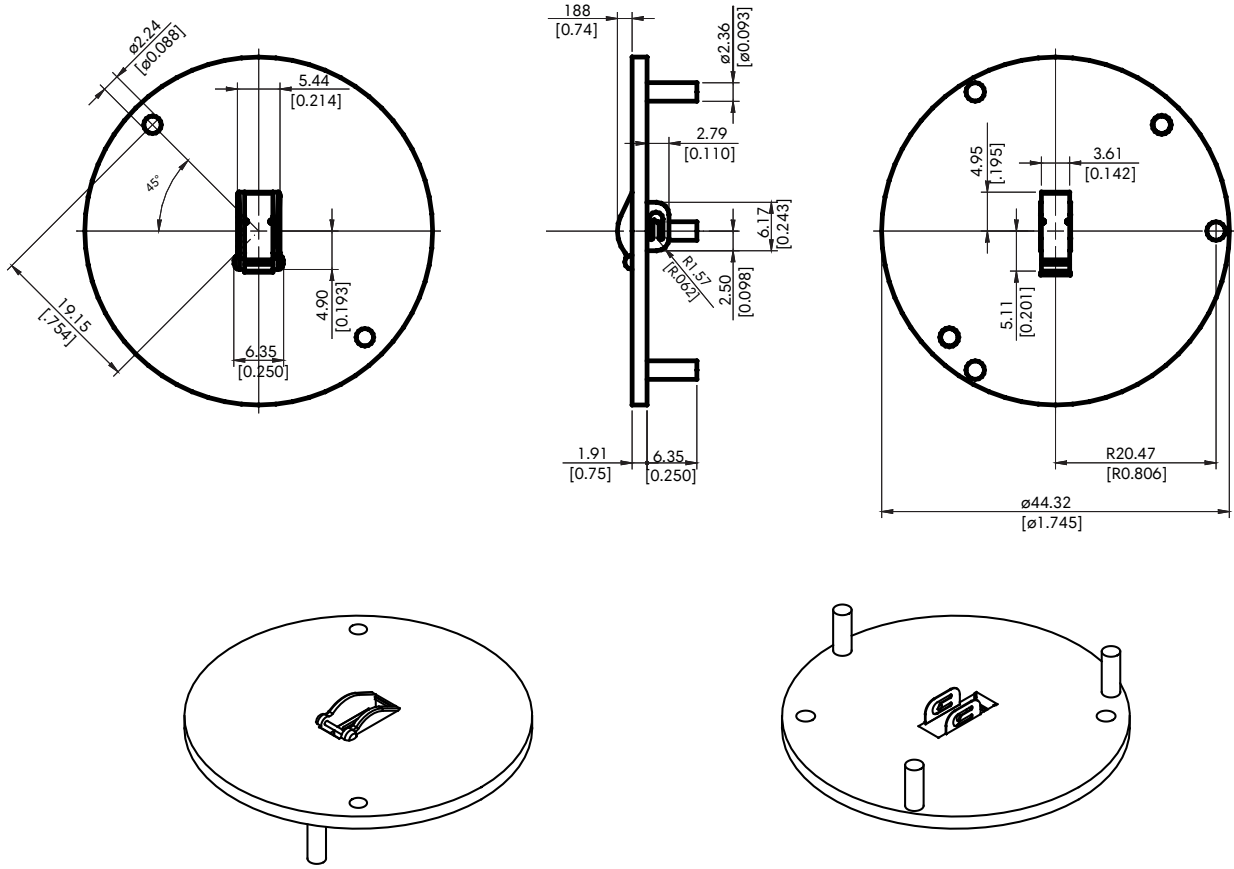
FP 7A No. 01



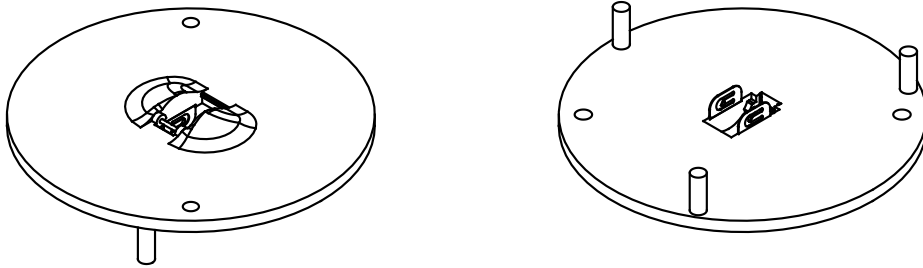
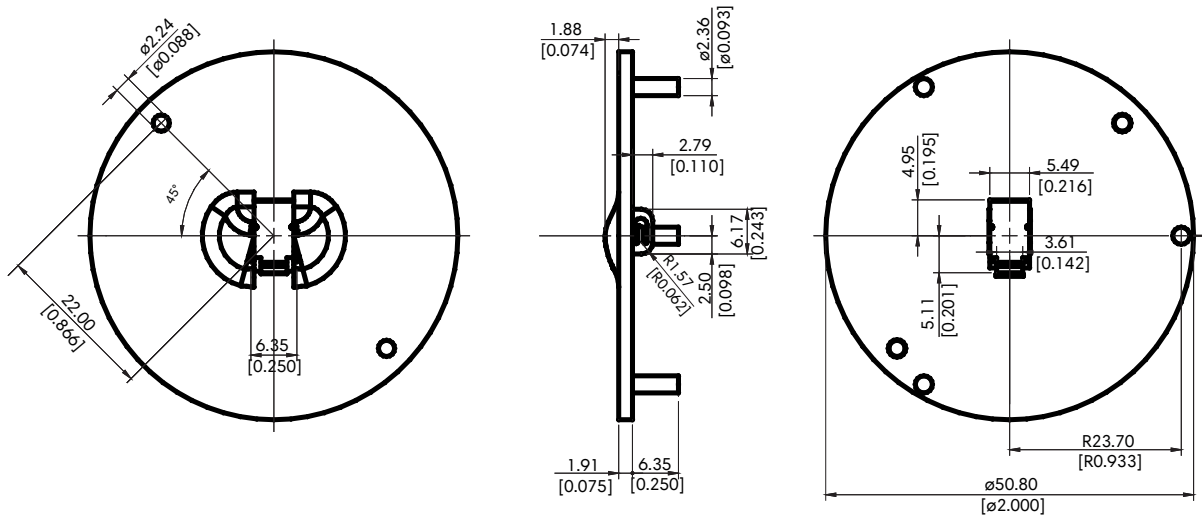
FP 10IS



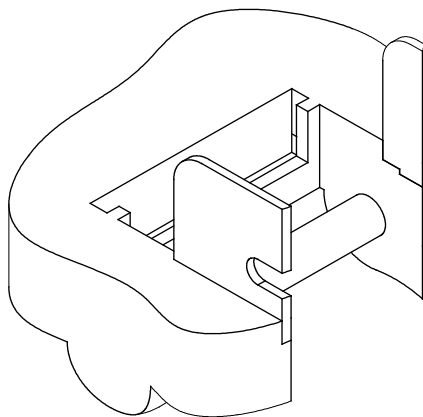
FP 12IS



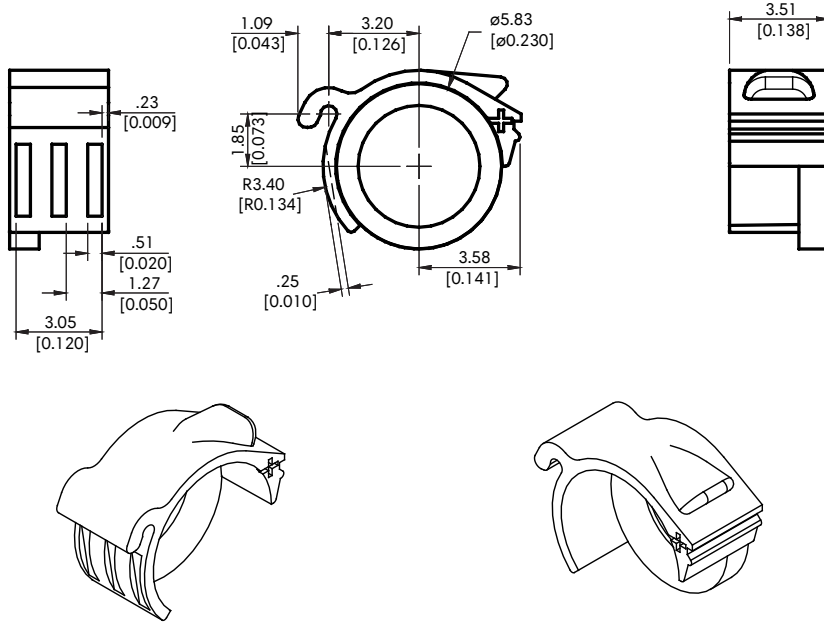
FP 13IS



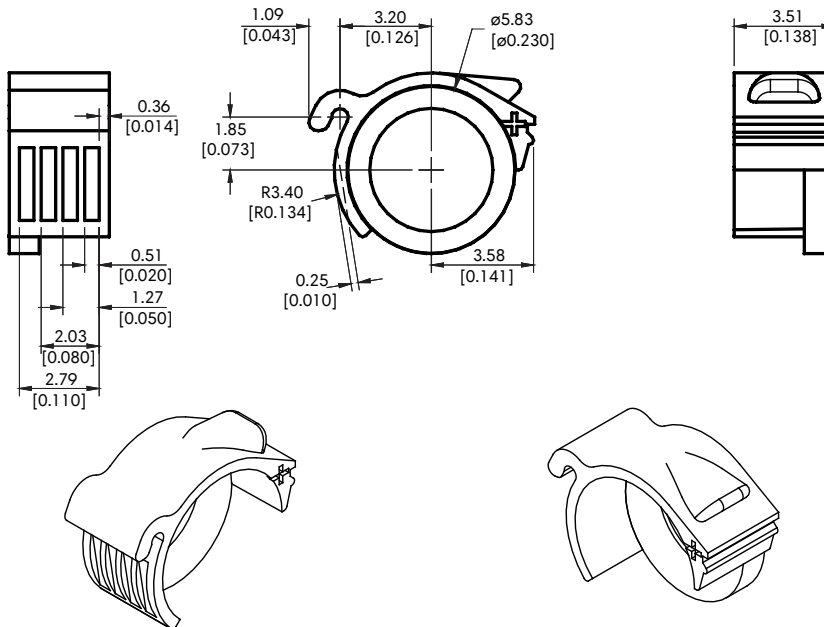
FP 10IS/12IS/13IS Cross-section of faceplate showing cavity for the Insert Socket Module CS 73/74



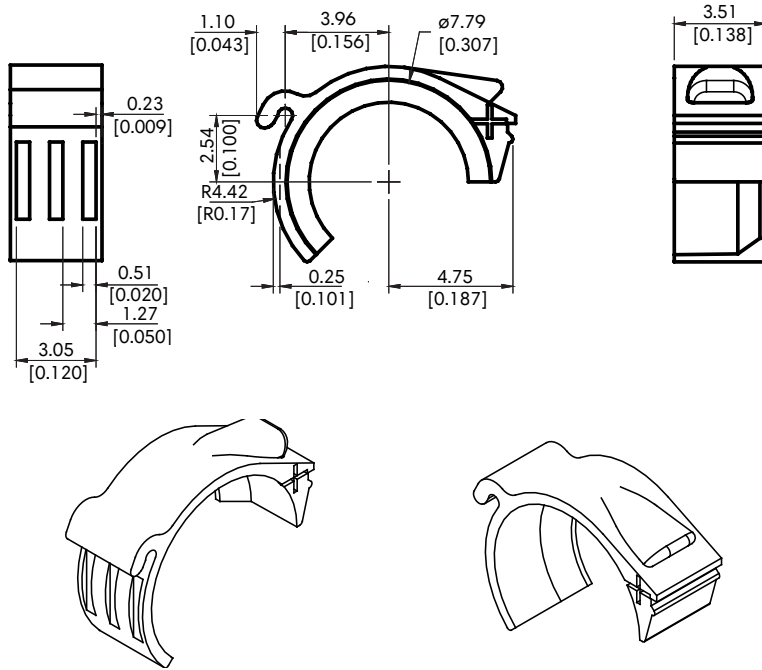
FP 10IS Battery Doors for the Insert Socket Module CS 73 (available in left and right)



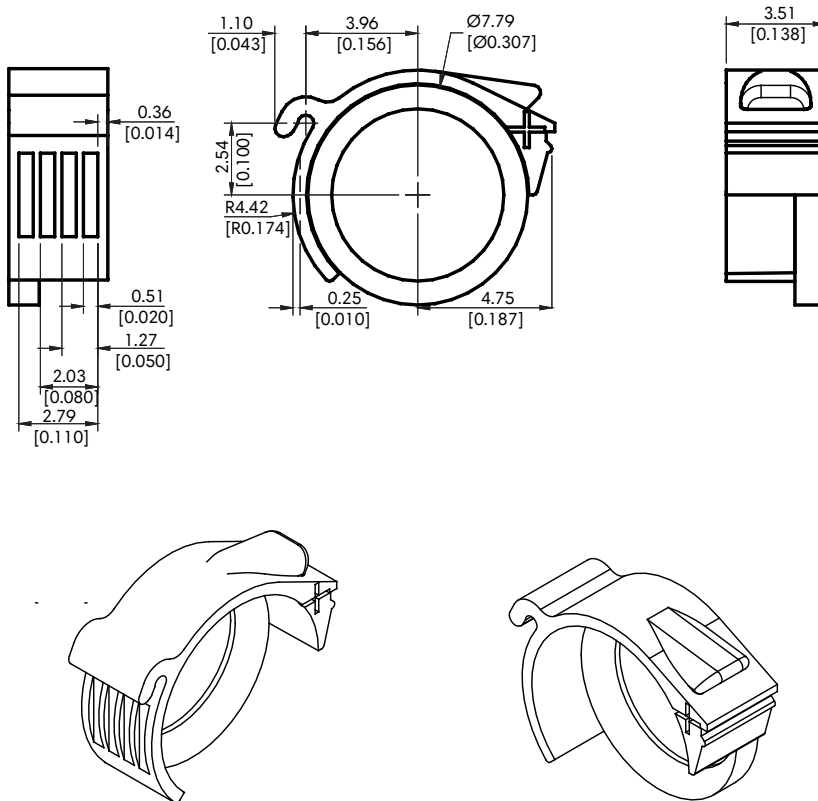
FP 10IS Battery Doors for the Insert Socket Module CS 74 (available in left and right)



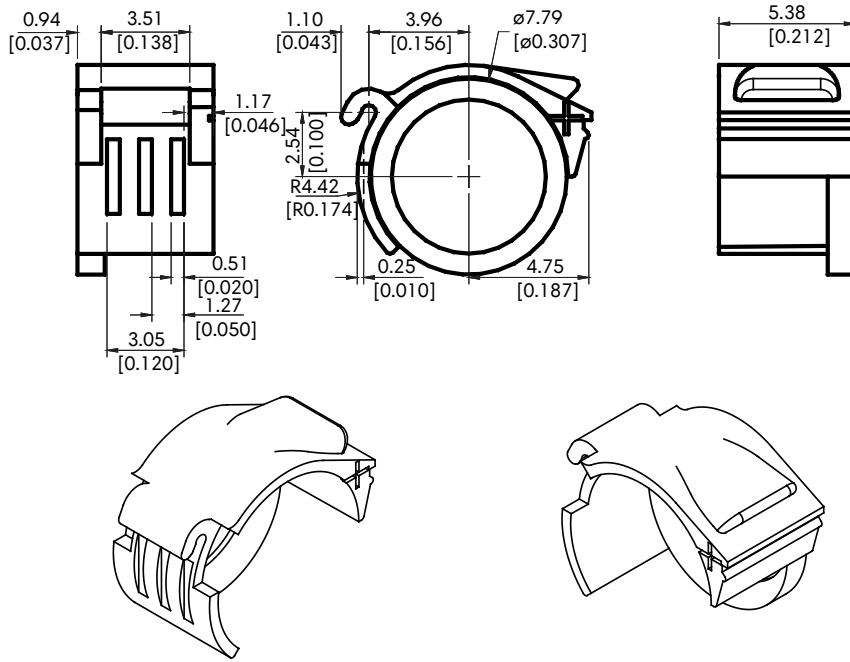
FP 12IS Battery Doors for Insert Socket Module CS 73 (available in left and right)



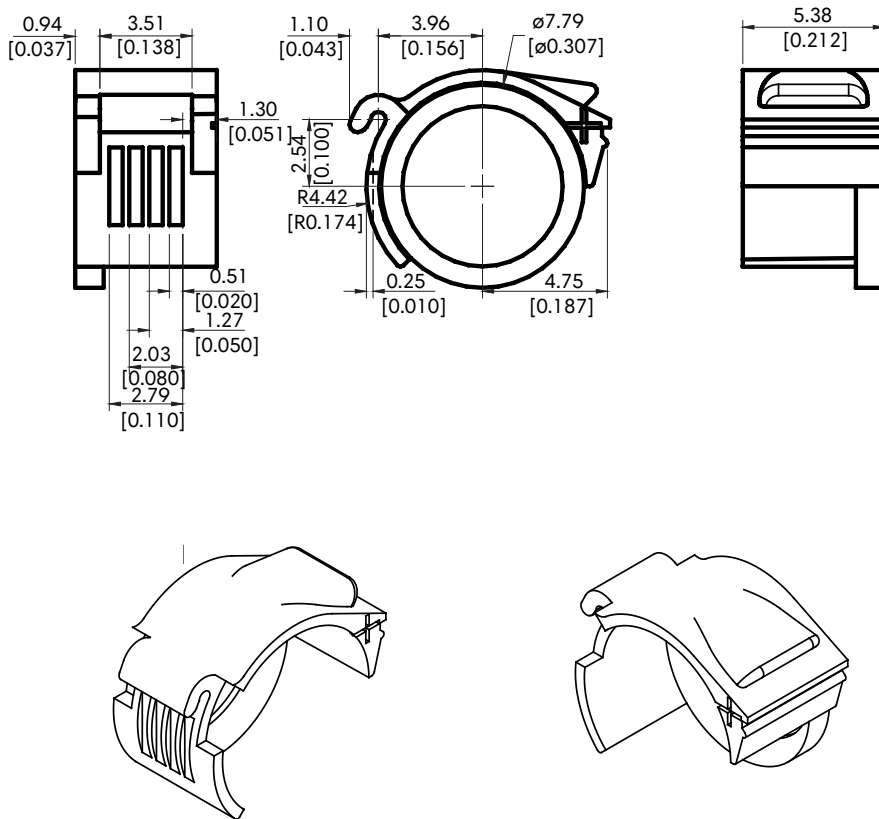
FP 12IS Battery Doors for the Insert Socket Module CS 74 (available in left and right)



FP 13IS Battery Doors for the Insert Socket Module CS 73 (available in left and right)



FP 13IS Battery Doors for the Insert Socket Module CS 74 (available in left and right)



7. Plastic Colors

For FP 7A please refer to the series 300 included in the Sonion 'Plastic Color Assortment' binder.

For FP 10IS, 12IS and 13IS the following colors are available:

Pink 05 (closest Sonion equivalent color no. is 348)

Tan 02 (closest Sonion equivalent color no. is 119)

Light Brown 07 (closest Sonion equivalent color no. is 233)

Dark Brown 04 (closest Sonion equivalent color no. is 180)

8. Product Specification Form

Name _____

Company _____

Customer Part No. _____

Parameters	Look at Page	Enter your choices	Guidelines
Model	5-8		Please enter FP 7A No. 01, 10IS, 12IS or 13IS
Battery Door FP 10IS/ 12IS/13IS	8-11		Please enter either left or right Please enter 3 grooves - to be used with the CS 73 Please enter 4 grooves - to be used with the CS 74
Plastic Color	12		For FP 7A please refer to the series 300 included in the Sonion 'Plastic Color Assortment' binder. For FP 10IS, 12IS and 13IS please see below: Pink 05 (closest Sonion equivalent color no. is 348) Tan 02 (closest Sonion equivalent color no. is 119) Light Brown 07 (closest Sonion equivalent color no. is 233) Dark Brown 04 (closest Sonion equivalent color no. is 180)

Faceplate 10IS/12IS/13IS with the CS 73/74 pre-mounted

Parameters	Enter your choices	Guidelines
Faceplate Model		Please enter FP 10IS, 12IS or 13IS
Insert Socket Module Type		Please enter CS 73 or CS 74