

## Description

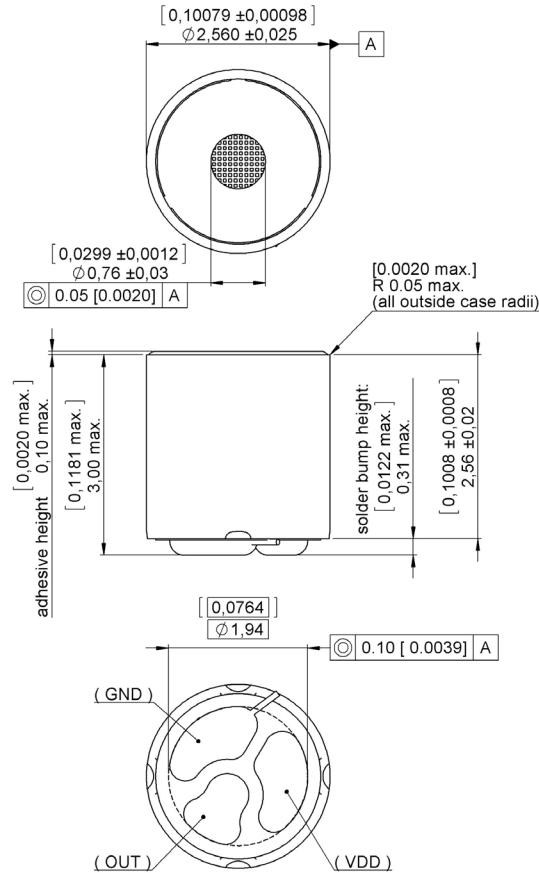
Miniature electret condenser microphone for hearing instruments.

## Features

- Cylindrical shape
- Improved power supply feedthrough attenuation
- Electrical high pass filter
- Increased sensitivity



## Product drawing - Dimensions in mm [inch]



Sonion reserves the right to make changes at any time to improve reliability, function or design, in order to provide the best product possible.

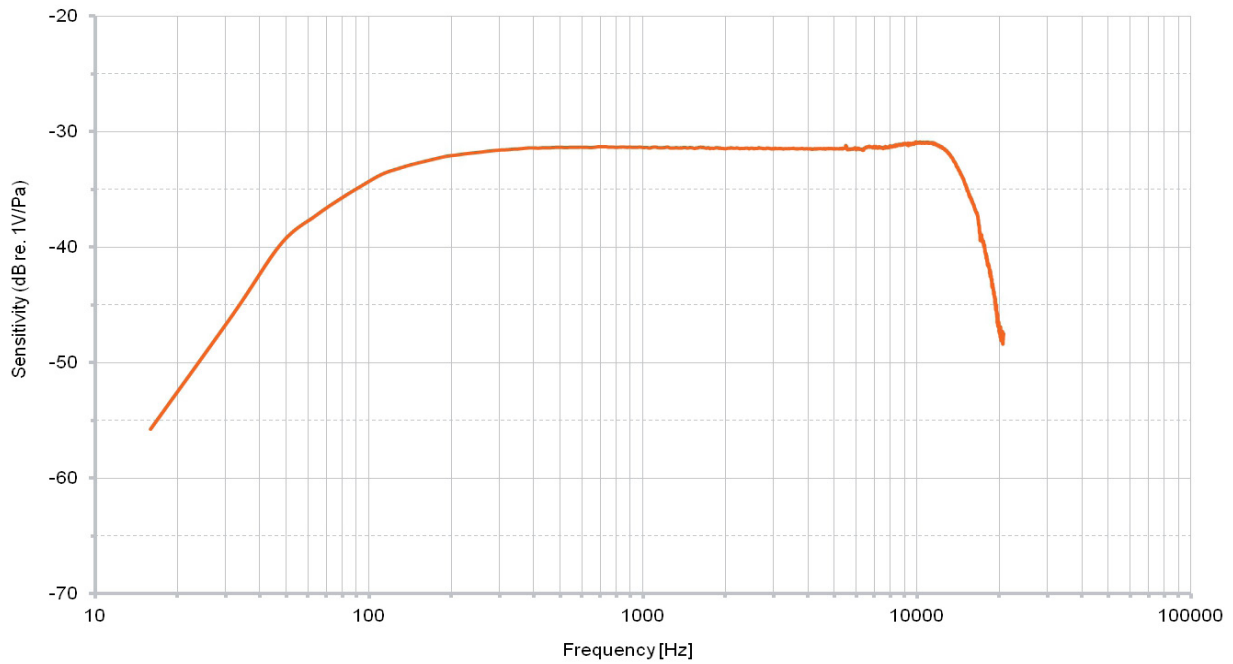
## Specifications

All parameters are specified at 0.9 V and 1 MOhm // <200pF load impedance, ACcoupled with 1µF, unless specified otherwise. Environmental conditions: 23°C (73.4F), 50% RH.

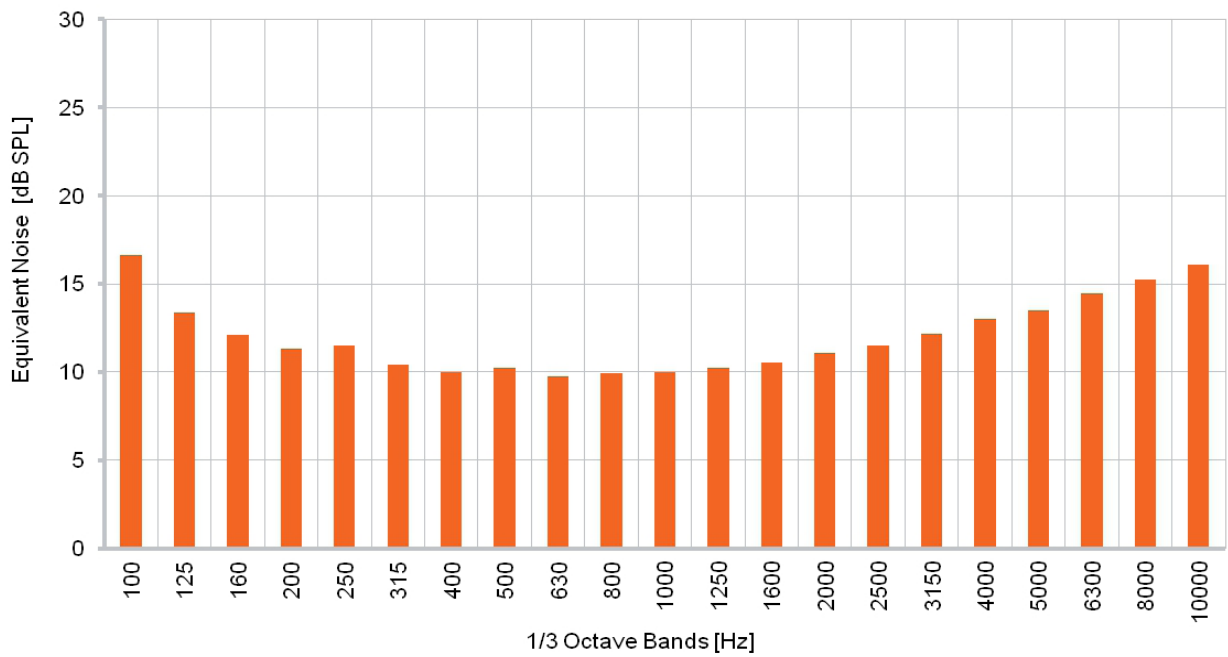
Parameters		Min	Typ	Max	Unit	Comments
Sensitivity *	@ 75 Hz	-5	-3	-1	dB	re. 1 kHz value
	@ 1 kHz	-34.5	-31.5	-28.5	dB	re. 1V per Pascal
	@ 10 kHz	-3	0	3	dB	re. 1 kHz value
Peak frequency			-		kHz	
Equivalent noise (A-weighted)			24.5	26.5	dB SPL	
Power supply feedthrough			-36	-33	dB	
Battery voltage range		0.8	0.9	3.6	VDC	
Battery drain		20	25	32	µA	
Output impedance **		2.2	3.1	4	kOhm	
DC output voltage		0.43	0.48	0.53	VDC	
Maximum input level @ 1 kHz			113		dB SPL	3% THD
Input-referred vibration sensitivity			65		dB SPL/g	1 kHz ref acc in axial direction
Sens. change with humidity variation			2		dB/%RH	20-90% RH
Input-referred EMI noise	0.8-0.96 Ghz			25	dB SPL	according SMI 255, E-75 V/m
	1.8-2.0 GHz			25	dB SPL	according SMI 255, E-50 V/m
Operating temperature range		-17	23	63	°C	
Storage temperature range		-40		63	°C	
ESD protection level: Class 2 according to MIL-STD-750D, test method 1020,2.						
Apply protection in accordance with IEC 61340-5-1 and 61340-5-2.						
* 1 kHz sensitivity at 1.3 VDC supply: -31.5 dB re. 1V/Pa typ.						
** Output impedance at 1.3 VDC supply: 3.1 kOhm typ.						

Sonion reserves the right to make changes at any time to improve reliability, function or design, in order to provide the best product possible.

## Typical response curve



## Typical 1/3 octave equivalent noise



Sonion reserves the right to make changes at any time to improve reliability, function or design, in order to provide the best product possible.