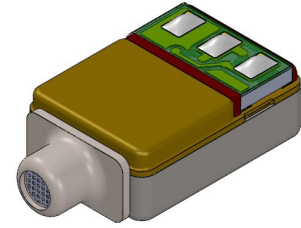


## Description

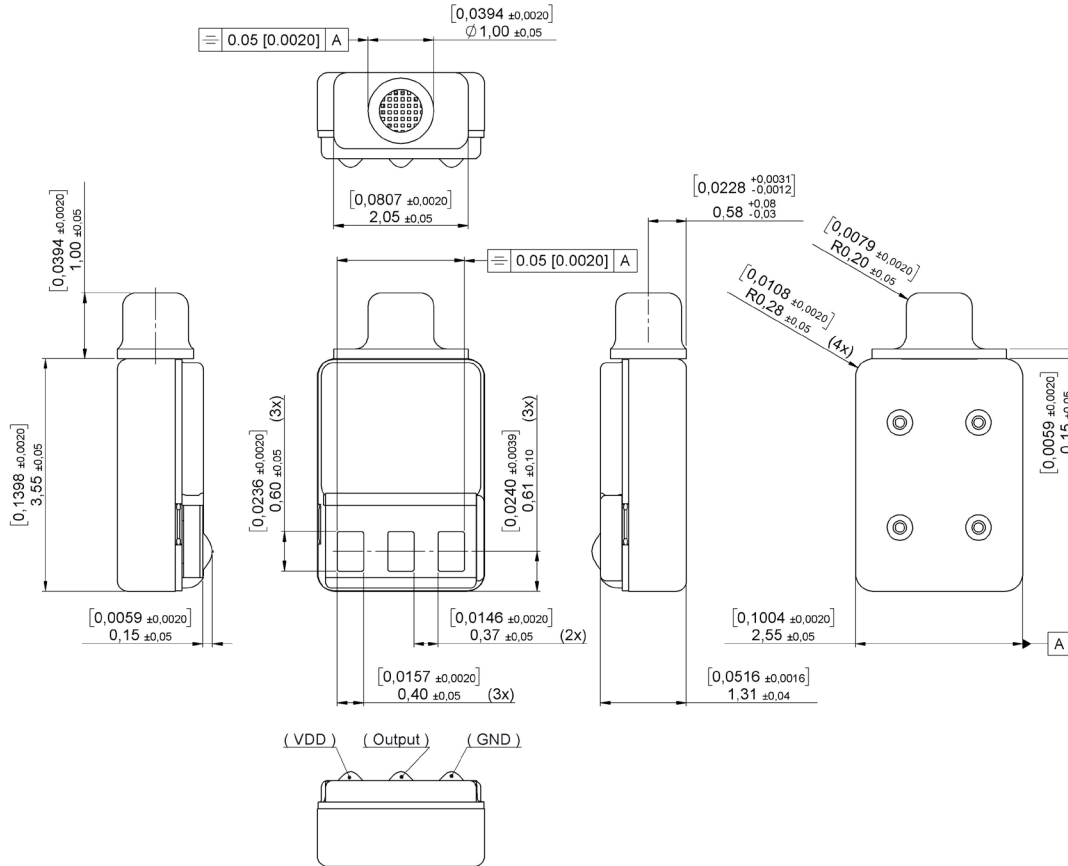
Rectangular miniature electret condenser microphone for hearing instruments

## Features

- Reduced size
- Rectangular shape
- Damped response



## Product drawing - Dimensions in mm [inch]



Sonion reserves the right to make changes at any time to improve reliability, function or design, in order to provide the best product possible.

## Specifications

All parameters are specified at 0.9 V and 1 MOhm // <200pF load impedance, ACcoupled with 1µF, unless specified otherwise. Environmental conditions: 23°C (73.4F), 50% RH.

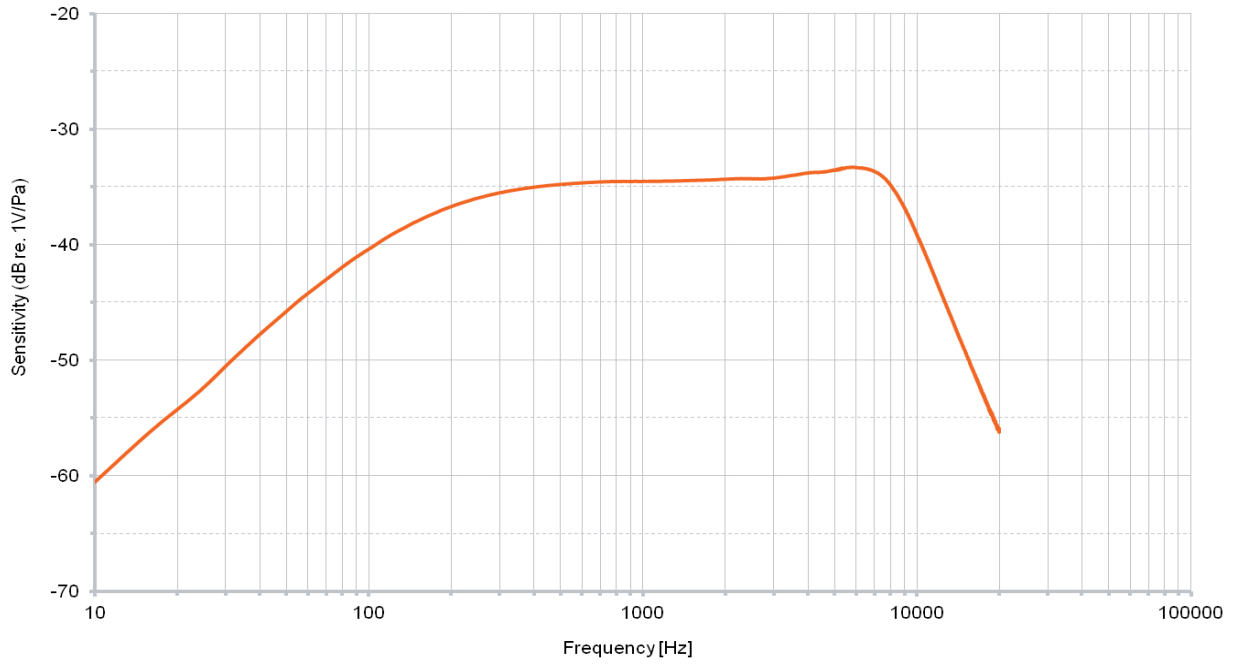
Parameters		Min	Typ	Max	Unit	Comments
Sensitivity *	@ 200 Hz	-5	-3	-1	dB	re. 1 kHz value
	@ 1 kHz	-37.5	-34.5	-31.5	dB	re. 1V per Pascal
	@ 5.8 kHz	-2	1	4	dB	re. 1 kHz value
Peak frequency			5.8	6.5	kHz	
Equivalent noise (A-weighted)			27	29.5	dB SPL	
Power supply feedthrough			-12	-10	dB	
Battery voltage range		0.8	0.9	5	VDC	
Battery drain		10	17	30	µA	
Output impedance **		3	4.5	6	kOhm	
Input-referred vibration sensitivity			65	67	dB SPL/g	1 kHz ref acc in axial direction
Humidity coefficient of sensitivity			0.02	0.025	dB/%RH	
Input-referred EMI noise following IEC 60118-13 Ed 4.0	0.7-0.96 GHz			30	dB SPL	according SMI 255, E-90 V/m
	1.4-2.0 GHz			30	dB SPL	according SMI 255, E-50 V/m
	2.0-2.7 GHz			30	dB SPL	according SMI 255, E-35 V/m
Operating temperature range		-17	23	63	°C	
Storage temperature range		-40		63	°C	
ESD protection level: Class 2 according to MIL-STD-750D, test method 1020,2.						
Apply protection in accordance with IEC 61340-5-1 and 61340-5-2.						
* 1 kHz sensitivity at 1.3 VDC supply: -34 dB re. 1V/Pa typ.						
** Output impedance at 1.3 VDC supply: 3 kOhm typ.						

## Mechanical data

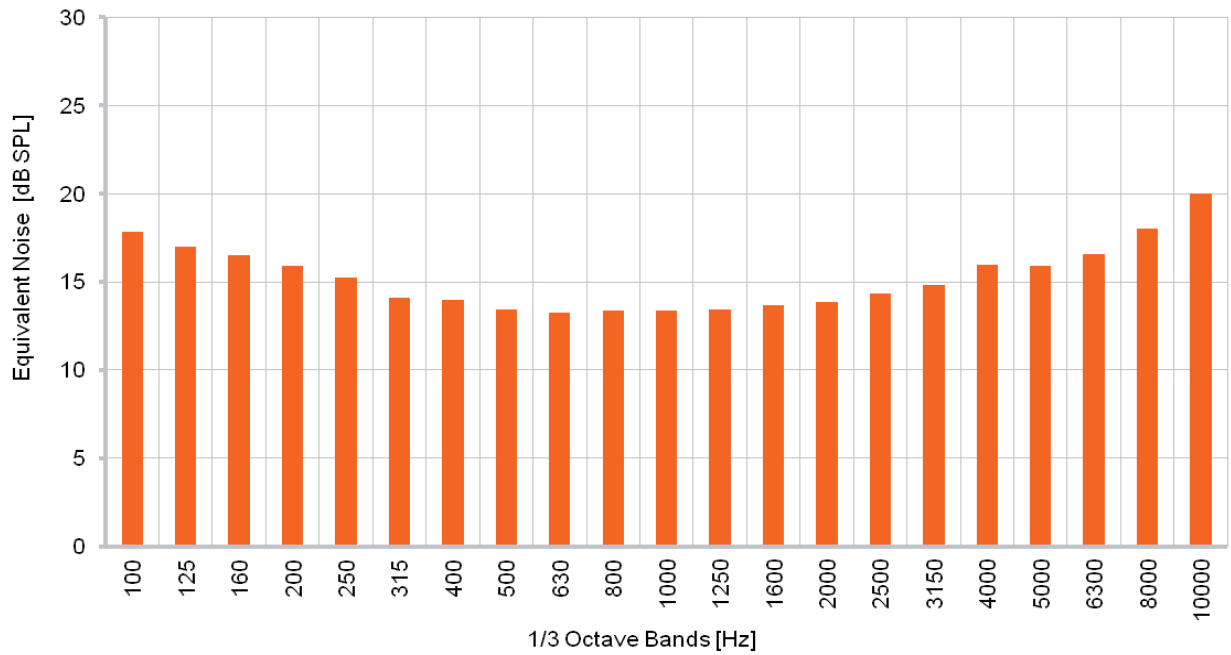
Weight	0.038 gr.
Case material	AISI316L
Solder pad material	Sn96.5Ag3.0Cu0.5
Dimensions	Refer to outline drawing

Sonion reserves the right to make changes at any time to improve reliability, function or design, in order to provide the best product possible.

## Typical response curve



## Typical 1/3 octave equivalent noise



Sonion reserves the right to make changes at any time to improve reliability, function or design, in order to provide the best product possible.