

Description

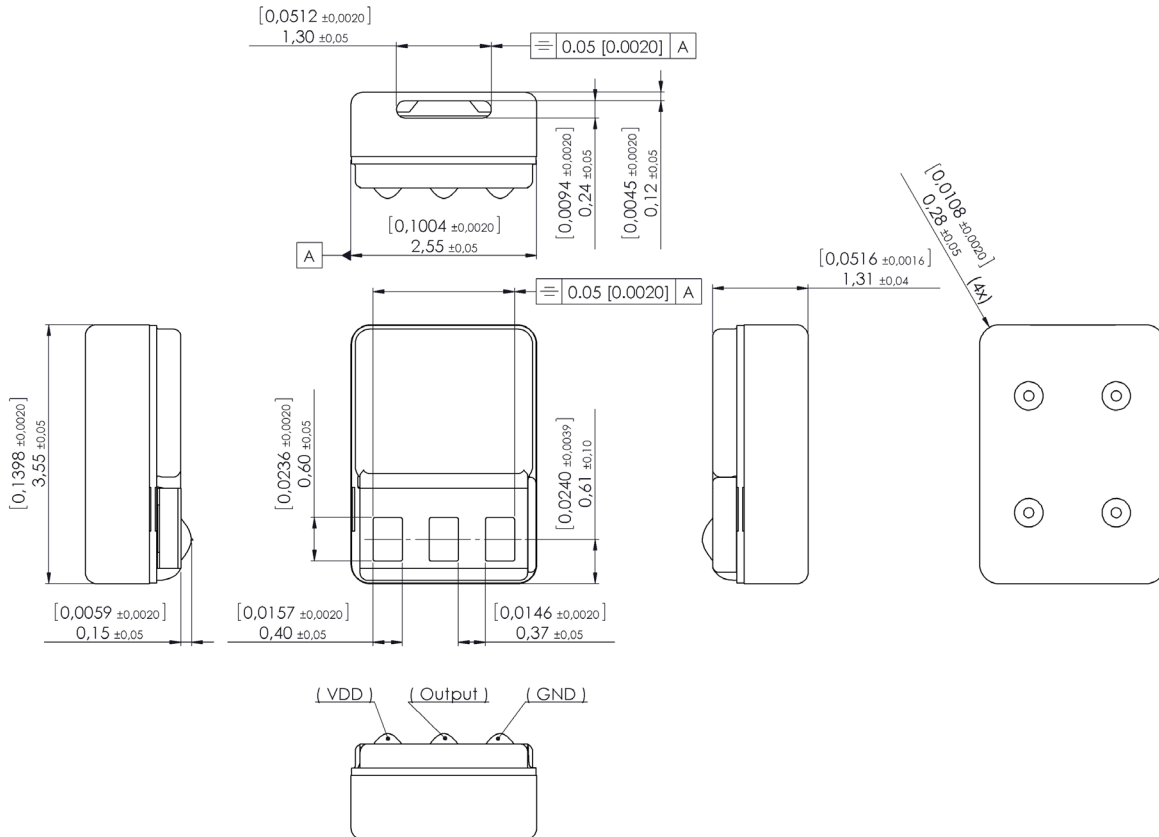
Rectangular miniature electret condenser microphone for hearing instruments

Features

- Reduced size
- Rectangular shape



Product drawing - Dimensions in mm [inch]



Sonion reserves the right to make changes at any time to improve reliability, function or design, in order to provide the best product possible.

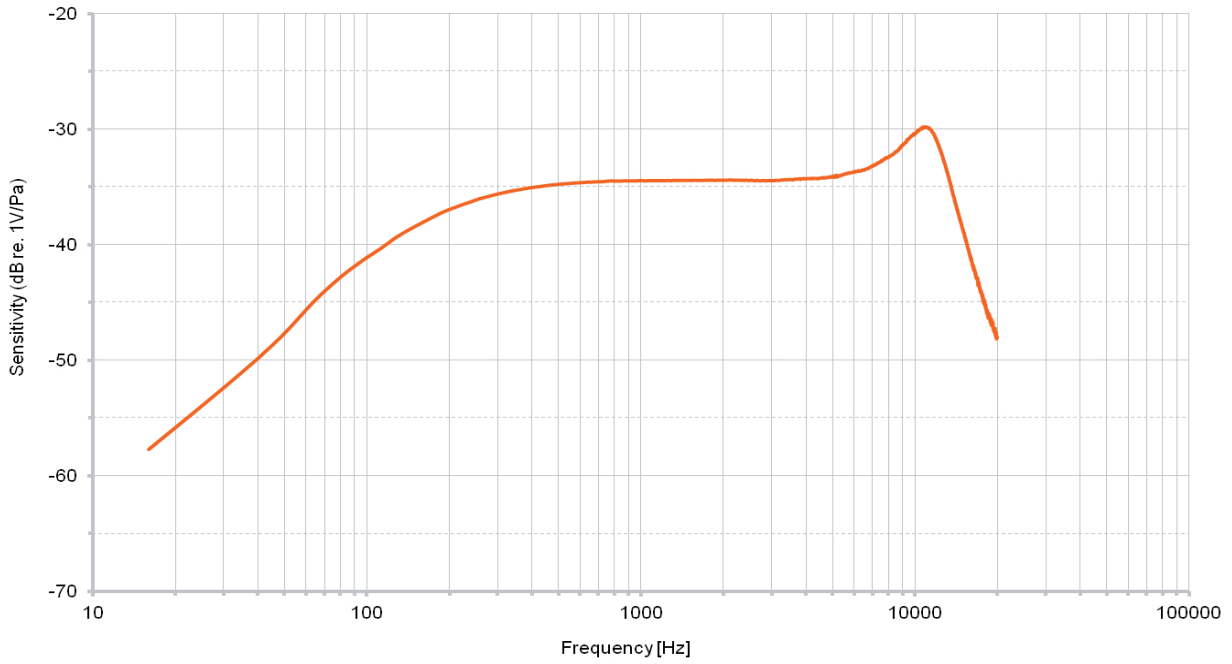
Specifications

All parameters are specified at 0.9 V and 1 MOhm // <200pF load impedance, ACcoupled with 1µF, unless specified otherwise. Environmental conditions: 23°C (73.4F), 50% RH.

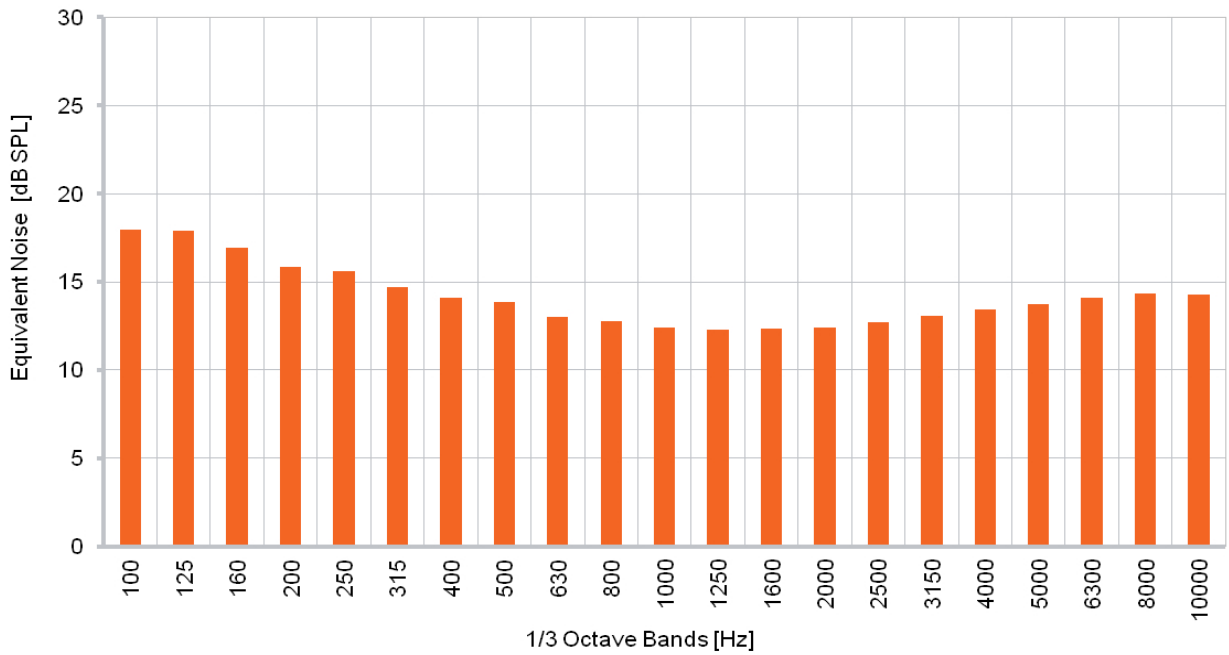
Parameters	Min	Typ	Max	Unit	Comments	
Sensitivity *	@ 200 Hz	-5	-3	-1	dB	re. 1 kHz value
	@ 1 kHz	-37.5	-34.5	-31.5	dB	re. 1V per Pascal
	@ 10 kHz	2	5	8	dB	re. 1 kHz value
Peak frequency	9	11	13	kHz	Approx.	
Equivalent noise (A-weighted)		26	28.5	dB SPL		
Power supply feedthrough		-12	-10	dB		
Battery voltage range	0.8	0.9	5	VDC		
Battery drain	10	17	30	µA		
Output impedance **	3	4.5	6	kOhm		
Input-referred vibration sensitivity		65	67	dB SPL/g	1 kHz ref acc in axial direction	
Humidity coefficient of sensitivity		0.02	0.025	dB/%RH	30%-90% RH	
Input-referred EMI noise	0.8-0.96 Ghz		30	dB SPL	according SMI 255, E-75 V/m	
	1.8-2.0 GHz		30	dB SPL	according SMI 255, E-75 V/m	
	1.4-2.0 GHz		30	dB SPL	according SMI 255, E-50 V/m	
Operating temperature range	-17	23	63	°C		
Storage temperature range	-40		63	°C		
ESD protection level: Class 2 according to MIL-STD-750D, test method 1020,2.						
Apply protection in accordance with IEC 61340-5-1 and 61340-5-2.						
* 1 kHz sensitivity at 1.3 VDC supply: -34 dB re. 1V/Pa typ.						
** Output impedance at 1.3 VDC supply: 3 kOhm typ.						

Sonion reserves the right to make changes at any time to improve reliability, function or design, in order to provide the best product possible.

Typical response curve



Typical 1/3 octave equivalent noise



Sonion reserves the right to make changes at any time to improve reliability, function or design, in order to provide the best product possible.