

## Description

Miniature magnetic receiver (balanced armature type) for use in hearing aids.

## Features

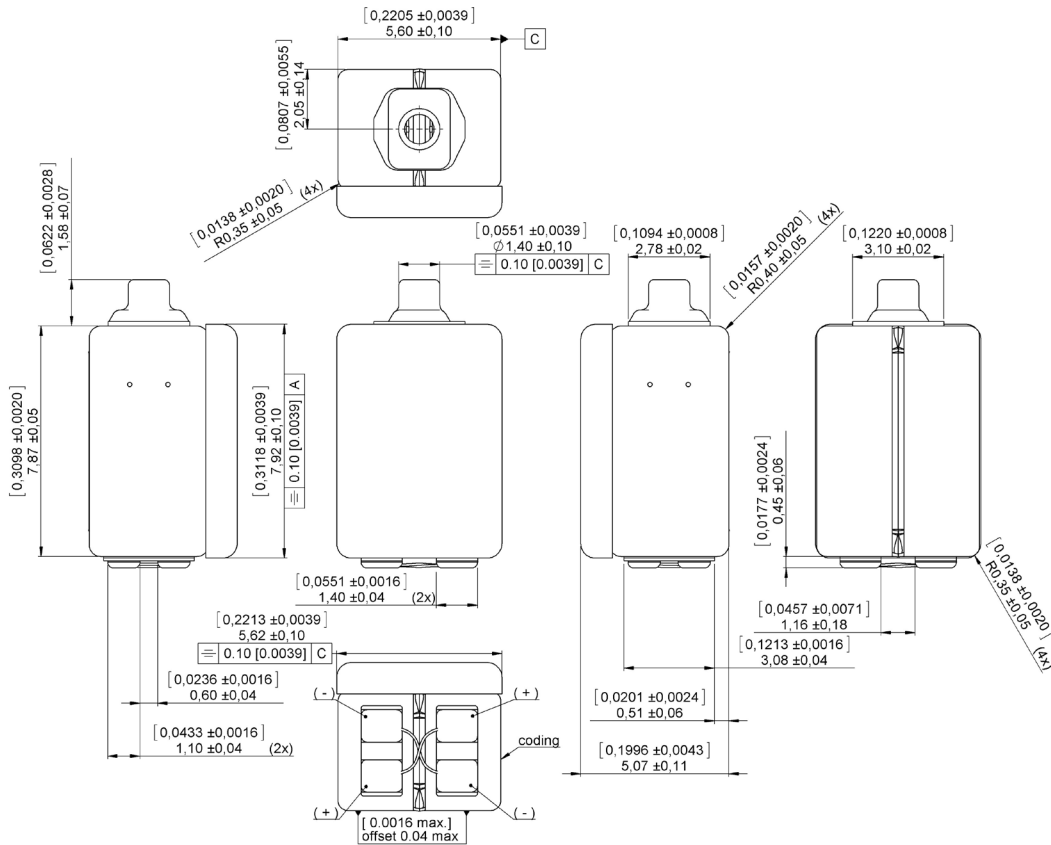
- Perfect for high power premium BTE applications
- Tandem, twin-motor performance
- Significantly reduced mechanical vibration
- Specifically designed for digital applications
- Increased sensitivity by added backvolume



## Mechanical data

Weight	0.75 gr.
Case material	Ni80Fe15Mo5
Solder pad material	Sn96.5Ag3.0Cu0.5
Dimensions	Refer to outline drawing
Prepping wire	Solid wire 0.1 mm black

## Product drawing - Dimensions in mm [inch]



Sonion reserves the right to make changes at any time to improve reliability, function or design, in order to provide the best product possible. Receivers series of this type can produce very high sound pressure levels. When such receivers are applied in hearing instruments or other communications equipment special attention should be paid to this capacity in order to prevent possible hearing damage.

## Specifications

The acoustic termination consists of: 8 mm x 1 mm ID + 28 mm x 1.5 mm ID + 25 mm x 2 mm ID + 18 mm x 3 mm ID + 2 cc coupler. Drive is voltage drive of RMS 0.7 mVA at 500 Hz unless specified otherwise. Environmental conditions: 23°C (73.4F), 50% RH.

Acoustic parameters	Min	Typ	Max	Unit	Comments	
Sensitivity	@ 200 Hz	114.5	117	119.5	dB	
	@ 300 Hz	114.5	117	119.5	dB	
	@ 500 Hz	115.5	118	120.5	dB	
Peak 1	frequency	700	900	1100	Hz	
	output	122	125	128	dB	
Valley 1	frequency	1000	1600	2200	Hz	
	output	110	113.5		dB	
Peak 2	frequency	1550	2150	2750	Hz	
	output	117.5	121	124.5	dB	
Valley 2	frequency	2200	2800	3400	Hz	
	output	106.5	110		dB	
Peak 3	frequency	2700	3300	3900	Hz	
	output	113	116.5	120	dB	
Valley 3	frequency	3350	3950	4550	Hz	
	output	102.5	106		dB	
Peak 4	frequency	3800	4400	5000	Hz	
	output	106.5	110	113.5	dB	
Valley 4	frequency	4650	5250	5850	Hz	
	output	93.5	97		dB	
Peak 5	frequency	5150	5750	6350	Hz	
	output	99.5	103	106.5	dB	
THD	@ 1/3 peak			5	%	
	@ 1/2 peak			5	%	
Maximum output @ peak frequency		143		dB	@ 100 mVA input	

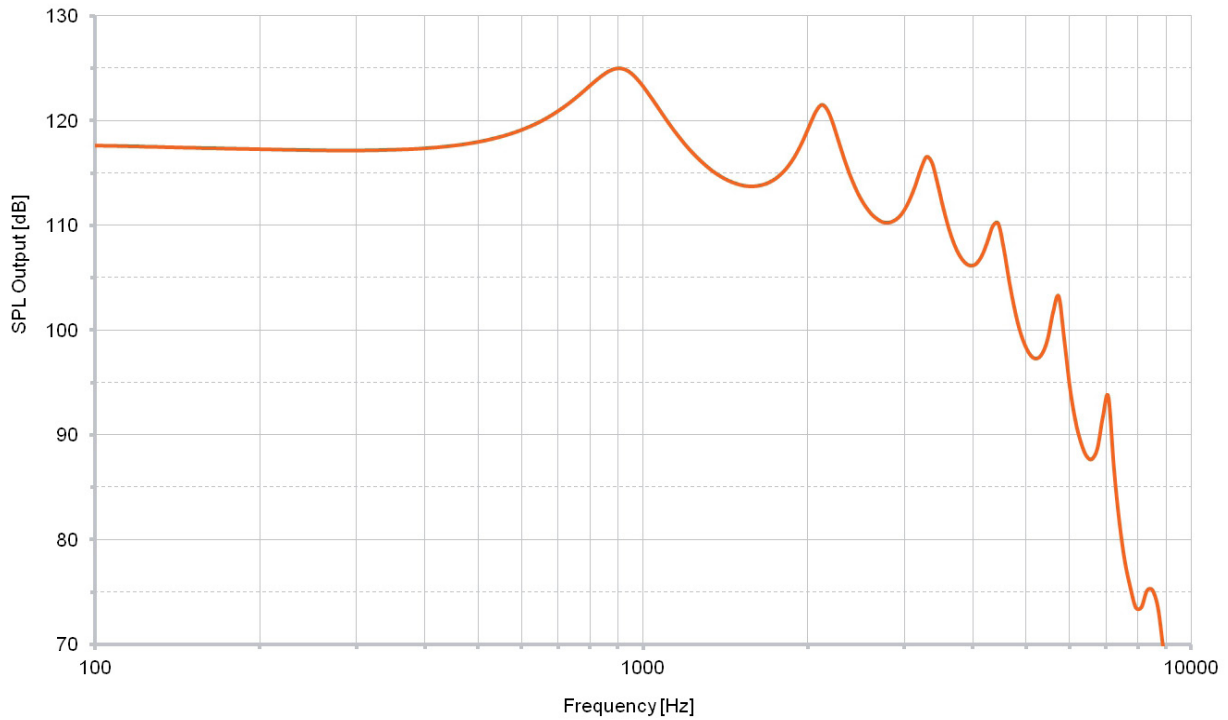
Electric parameters	Min	Typ	Max	Unit	Comments
Impedance @ 1000 Hz parallel	32	40	48	Ohm	
Impedance @ 500 Hz parallel	33	41	49	Ohm	
DC resistance @ 20°C parallel	22	25.5	29	Ohm	
DC bias current range	zero bias				

Additional parameters	Min	Typ	Max	Unit	Comments
Shock resistance	8000			g	90% survival rate with THD @ 1/2 peak frequency < 10%
Storage temperature range	-40		63	°C	

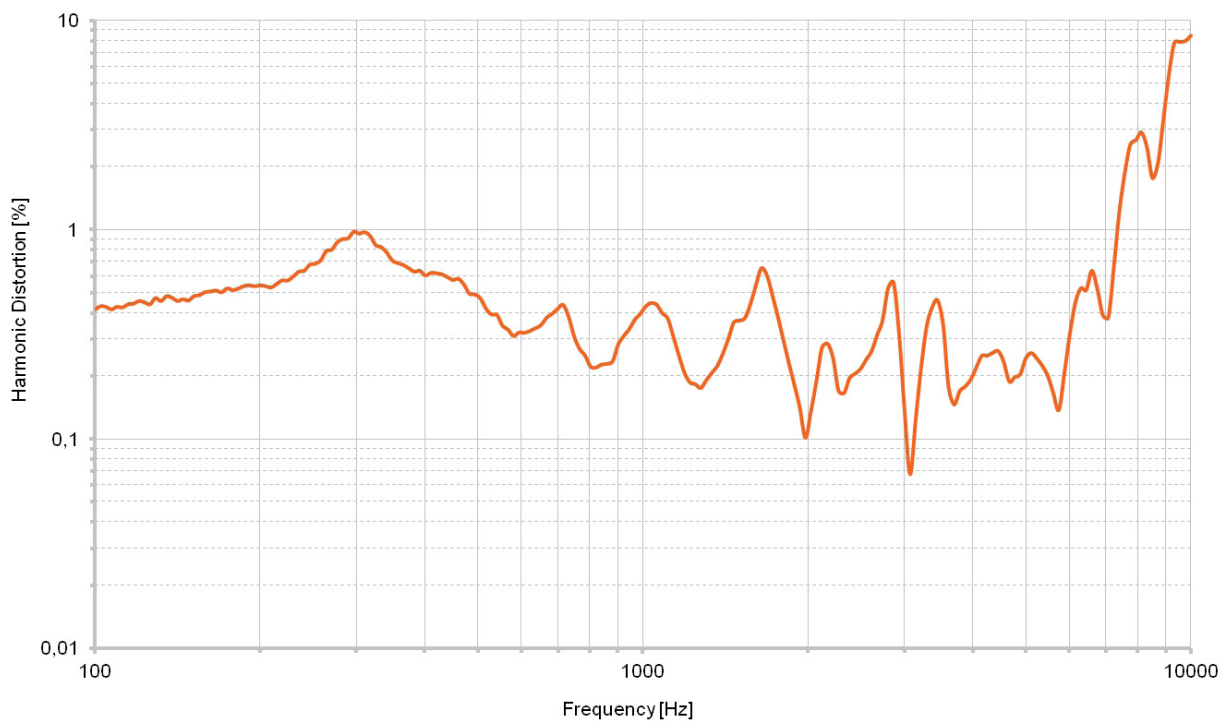
A positive voltage applied to the negative terminal (-) will result in an increase in pressure at the sound outlet.

Sonion reserves the right to make changes at any time to improve reliability, function or design, in order to provide the best product possible. Receivers series of this type can produce very high sound pressure levels. When such receivers are applied in hearing instruments or other communications equipment special attention should be paid to this capacity in order to prevent possible hearing damage.

## Typical response curve



## THD vs Frequency, typical, nominal input



Sonion reserves the right to make changes at any time to improve reliability, function or design, in order to provide the best product possible. Receivers series of this type can produce very high sound pressure levels. When such receivers are applied in hearing instruments or other communications equipment special attention should be paid to this capacity in order to prevent possible hearing damage.