

Data Sheet



Passive telecoil T 25 AA 08

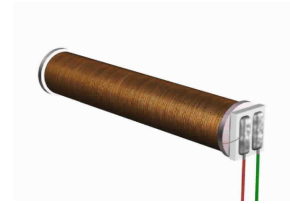
9014 - 3004037
MT3267.E (10/07)

Description

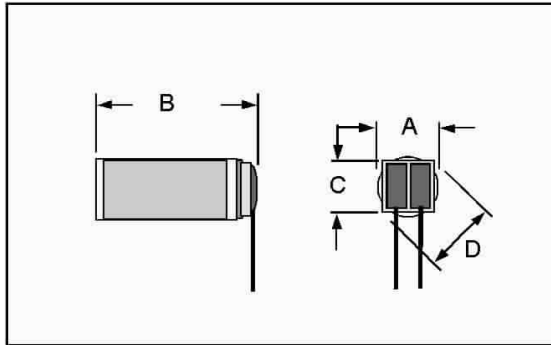
Inductive pick-up coil for use in hearing instruments.

Features

- Highly durable coating
- Small size
- High sensitivity



Dimensions



Mechanical data

Dimensions	in mm	in inch
Dimension A max.	2.11	0.083
Dimension B max.	10.67	0.42
Dimension C max.	2.11	0.083
Dimension D max.	2.26	0.089

Electrical data

Measuring conditions: Temperature = 23°C (73.4F)

Parameters	Min	Typ	Max	Unit	Comments
DC resistance	1692	1880	2068	Ohm	
Inductance @ 1 kHz	383	450	517	mH	
O. C. 1 kHz Sensitivity	-53.5	-52	-50.5	dBV/A/m	
10 kOhm load 1 kHz Sensitivity	-55.3	-53.8	-52.3	dBV/A/m	
Resonance frequency	60			kHz	
Winding sense	North positive				

Lead wires

Start lead description: Green, 30 mm, #36 AWG (Ø 0.125 mm), solid Cu with PU coating, no tinning

Finish lead description: Red, 30 mm, #36 AWG (Ø 0.125 mm), solid Cu with PU coating, no tinning

Lead wire length measured from solder pad.

Sonion reserves the right to make changes at any time to improve reliability, function or design, in order to provide the best product possible.