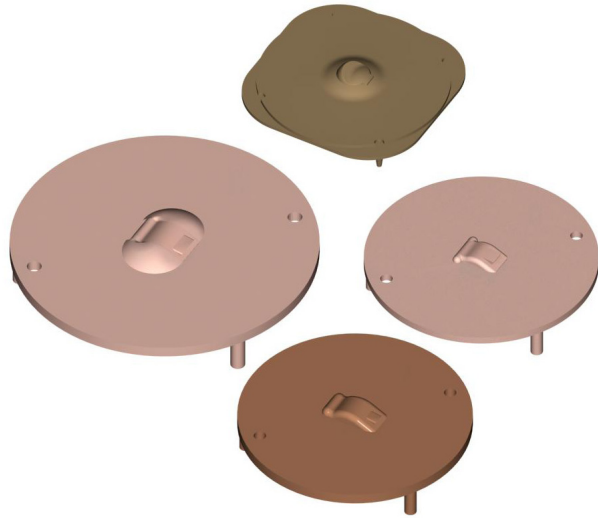


Features

- ⊕ Left and right ear applications
- ⊕ Integrated On/Off switch in the Faceplate assembly (FP 7A)
- ⊕ FP 10IS, 12IS & 13IS are available for the Insert
- ⊕ Socket Module CS 73/74



Contents

	Page
History Revision	2
Mechanical Specifications	3
Material Specifications	3
Environmental Conditions	3
Recommended Process Parameters.....	3
Mechanical Dimensions.....	4
Plastic Colors.....	11
Product Specification Form	12

Sonion reserves the right to make changes at any time to improve reliability, function or design, in order to provide the best product possible.

History Revision

Revision Number/Date	Change from last revision
10 / May 02	History Revision added. FP 6A and 8A have been removed
11 / May 08	Operational temperature and humidity removed. New data sheet design. New lay-out.
MT1010.A (07/08)	No technical updates
012/JUL-22-2009	No technical updates
013/FEB-14-2011	FP 7A No. 01 update of dimensions and design. FP 7A No. 02 discontinued.
014/JUL-13-2011	Storage humidity added.

Mechanical Specifications

Battery size	
FP 7A	10A
FP 10IS	10A
FP 12IS	312
FP 13IS	13

FP 10IS/12IS/13IS battery door marked with red "+" sign

Battery Door operational lifetime Min. 2,000 cycles Open/Close

Material Specifications

All materials comply with RoHS directive (2002/95/EC)



Metal parts	
Battery spring	
- FP 7A	Spring steel, gold plated
- FP 10IS, 12IS, 13IS	Stainless steel, nickel/gold plated
Hinge pin	
- FP 10IS, 12IS, 13IS	Stainless steel

Plastic parts Glueable thermoplastic material

Lubricant, glue / seal, and paint specifications are proprietary information.

Environmental Conditions

Storage temperature	-40 to +60°C
Storage humidity	10 to 95% RH

Recommended Process Parameters

Gluing:

Types of glue Cyanoacrylates (non-blooming) , i.e. Loctite 401, 408, 460 and Sicomet 50, 63, 77
Non-blooming types must be used to ensure that residuals from the curing process do not degrade the component.

Cleaning:

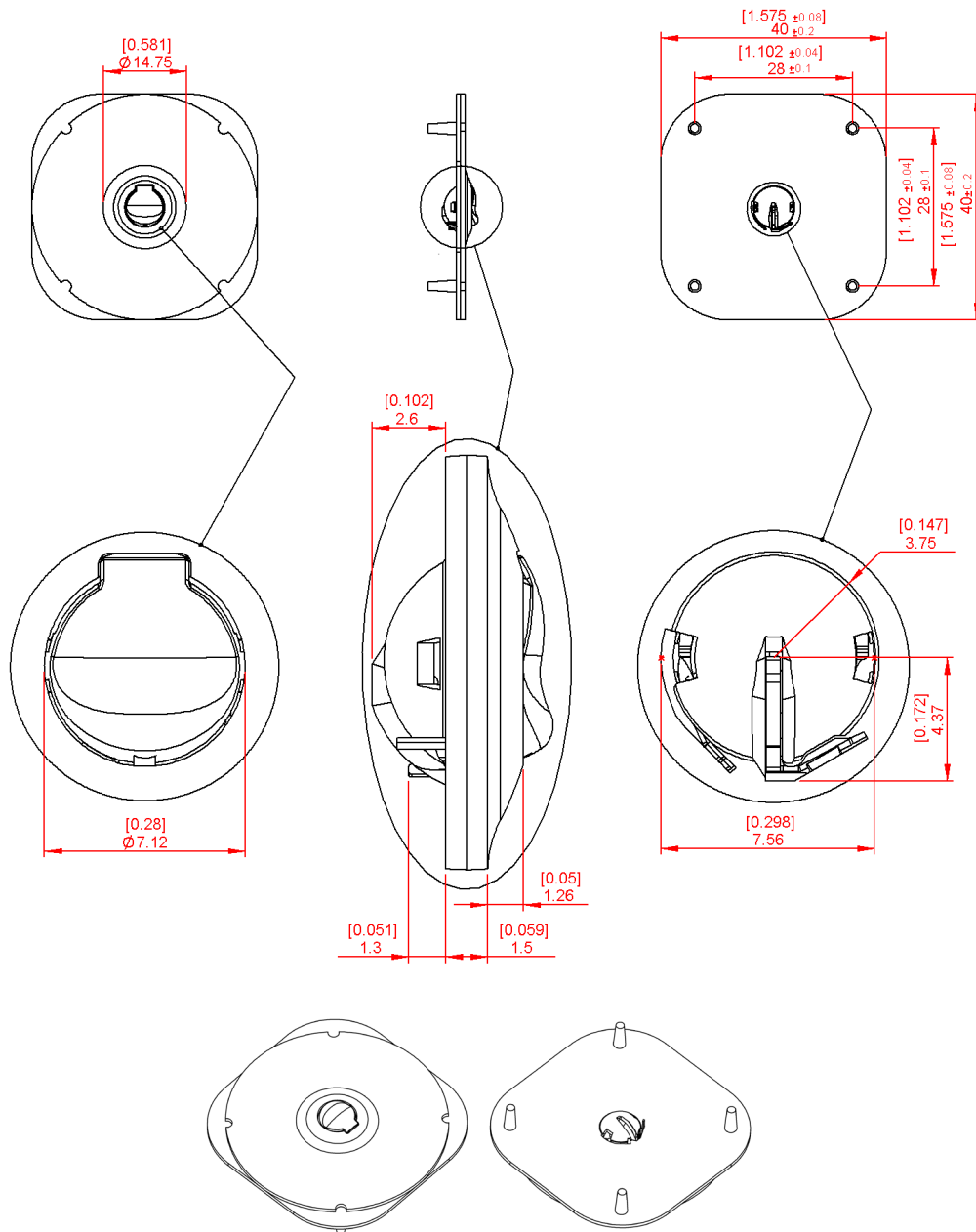
Cleaning solvents Aqua wash (Alpha 2110), Benzine
Do not use alcohol-based solvents.

Mechanical Dimensions

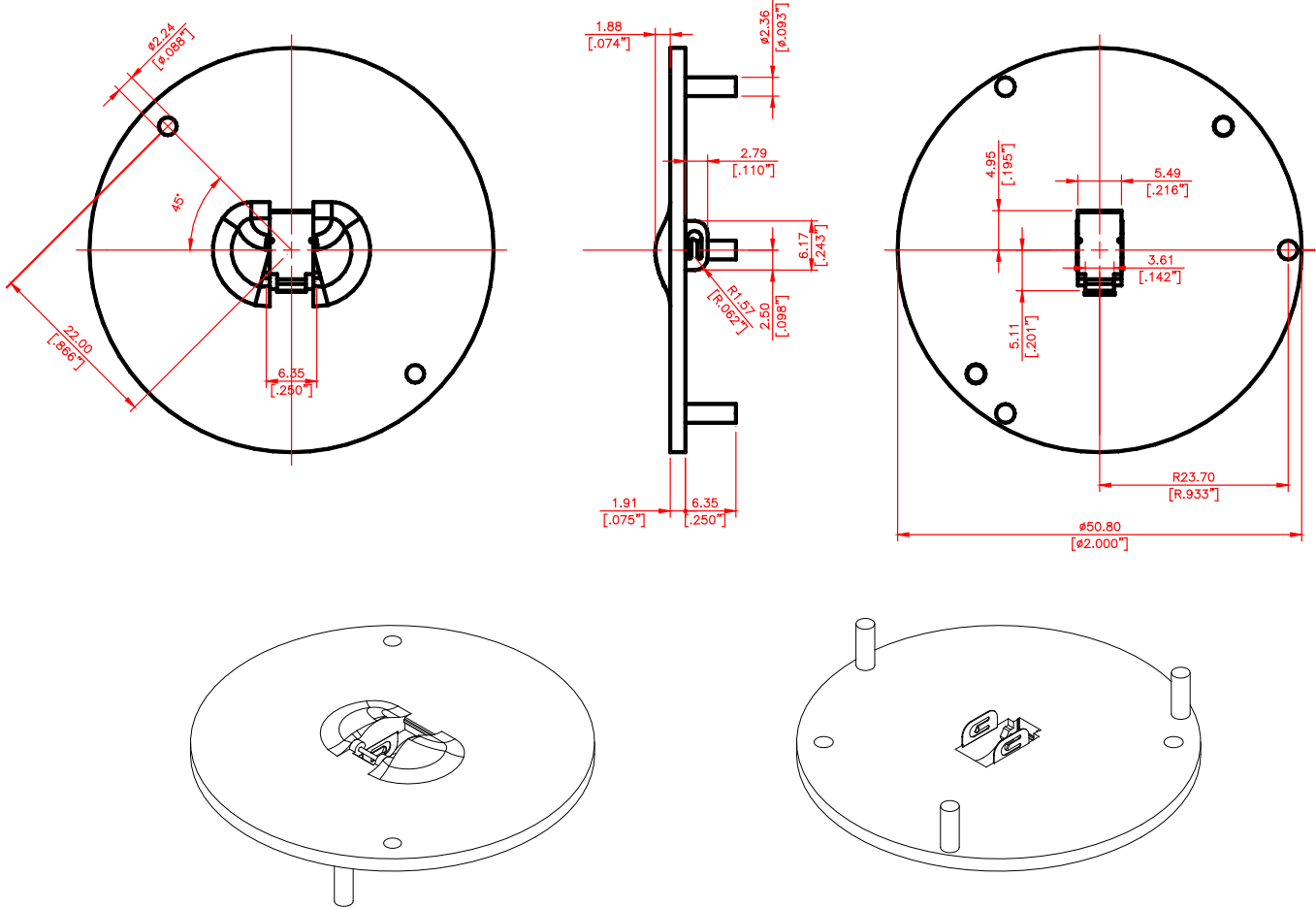
Note:

The standard measurement tolerance on the drawings is ± 0.05 mm/[0.002"]. Tolerances which differ from this value will be indicated on the drawings.

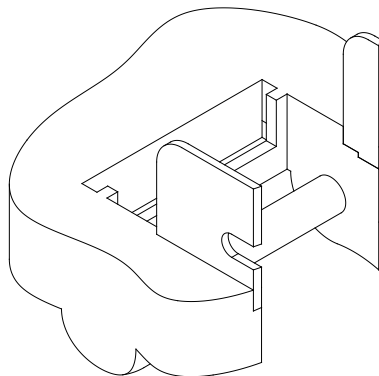
FP 7A No. 01



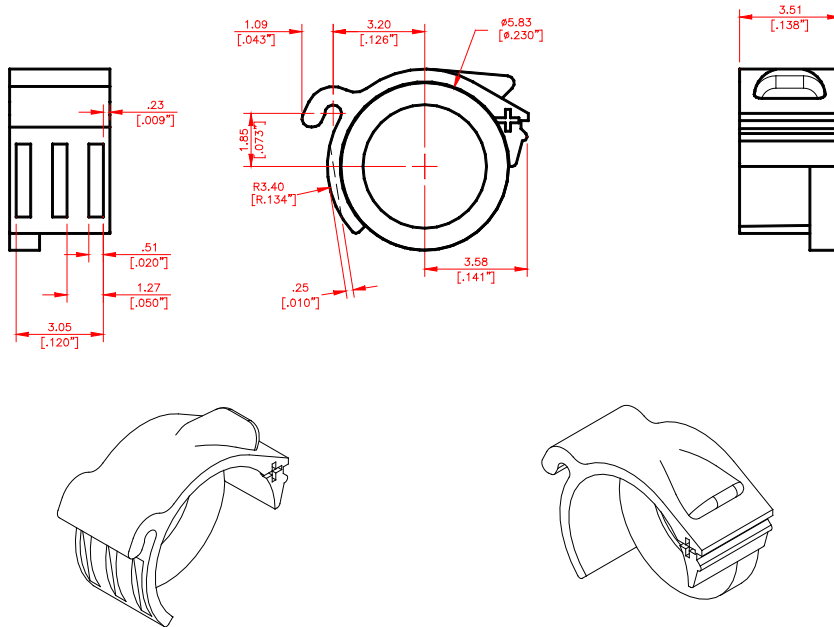
FP 13IS



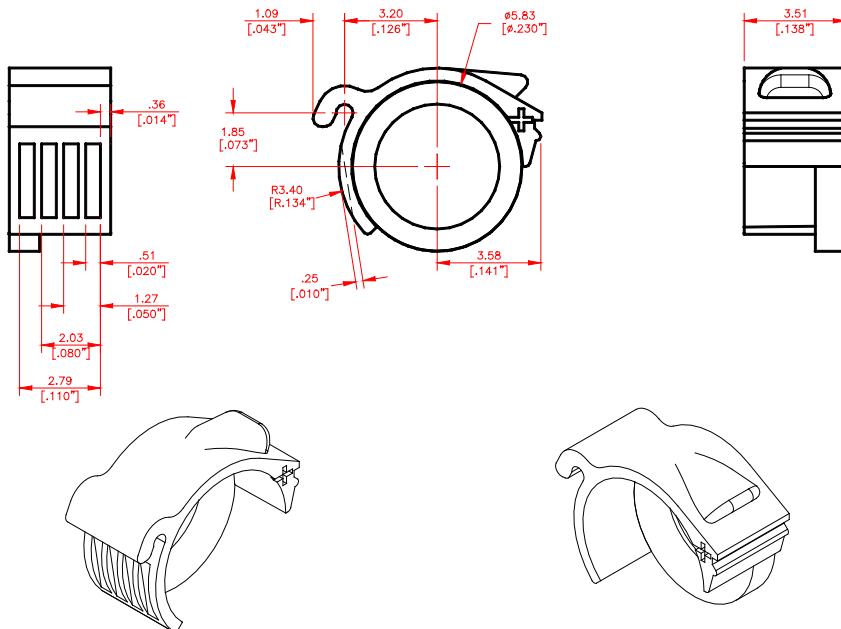
FP 10IS/12IS/13IS Cross-section of faceplate showing cavity for the Insert Socket Module CS 73/74



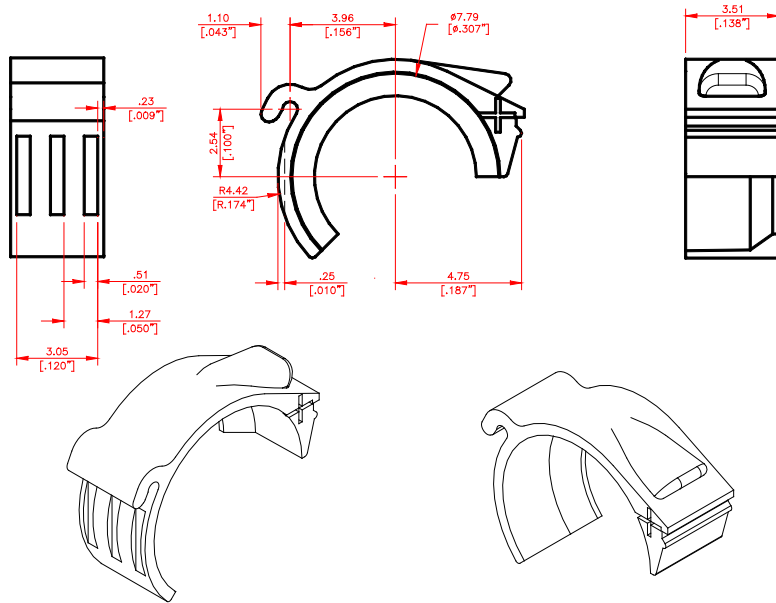
FP 10IS Battery Doors for the Insert Socket Module CS 73 (available in left and right)



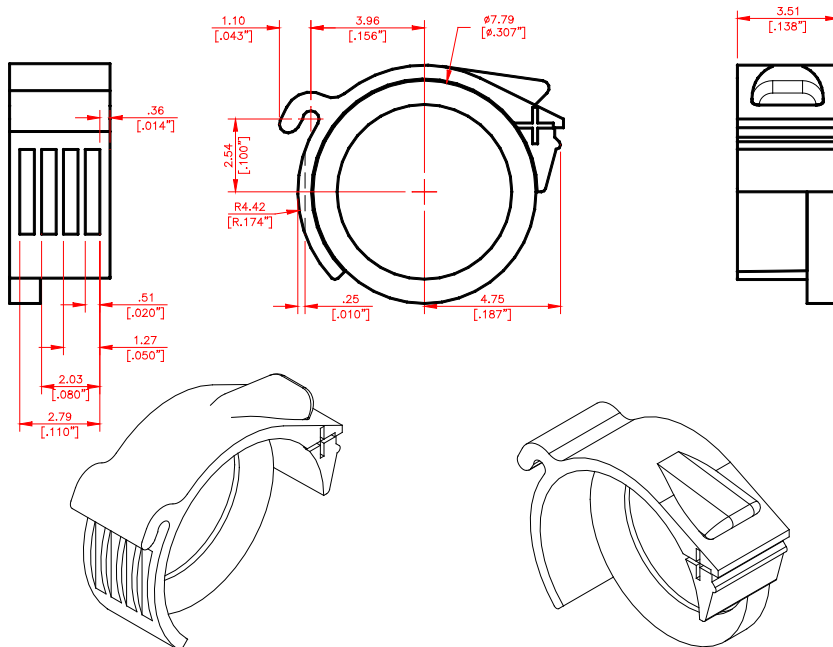
FP 10IS Battery Doors for the Insert Socket Module CS 74 (available in left and right)



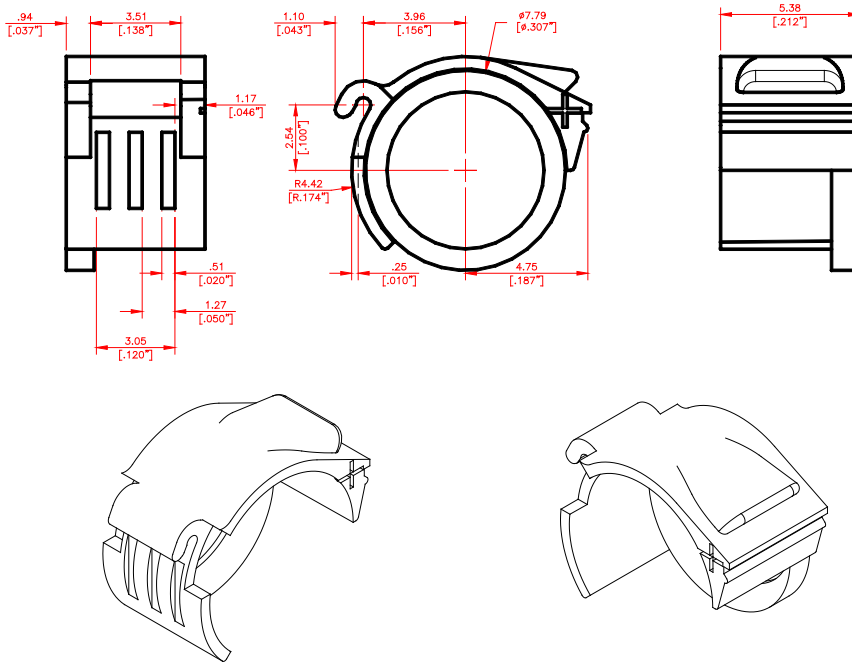
FP 12IS Battery Doors for Insert Socket Module CS 73 (available in left and right)



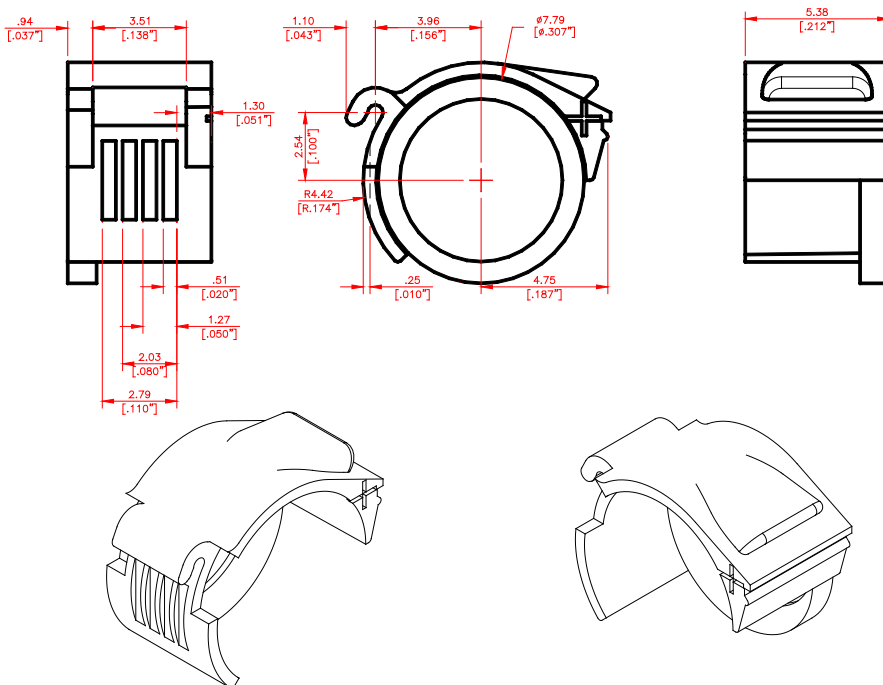
FP 12IS Battery Doors for the Insert Socket Module CS 74 (available in left and right)



FP 13IS Battery Doors for the Insert Socket Module CS 73 (available in left and right)



FP 13IS Battery Doors for the Insert Socket Module CS 74 (available in left and right)



Plastic Colors

For FP 7A please refer to the series 300 included in the Sonion 'Plastic Color Assortment' binder.

For FP 10IS, 12IS and 13IS the following colors are available:

Pink 05 (closest Sonion equivalent color no. is 348)

Tan 02 (closest Sonion equivalent color no. is 119)

Light Brown 07 (closest Sonion equivalent color no. is 233)

Dark Brown 04 (closest Sonion equivalent color no. is 180)

Product Specification Form

Name: _____

Company: _____

Customer Part No.: _____

Parameters	Look at Page	Enter your choices	Guidelines
Model	4-7		Please enter FP 7A No. 01, 10IS, 12IS or 13IS
Battery Door FP 10IS/ 12IS/13IS	8		Please enter either left or right
Battery Door FP 10IS/ 12IS/ 13IS	8-10		Please enter 3 grooves - to be used with the CS 73 Please enter 4 grooves - to be used with the CS 74
Plastic Color	11		For FP 7A please refer to the series 300 included in the Sonion 'Plastic Color Assortment' binder.
			For FP 10IS, 12IS and 13IS please see below: Pink 05 (closest Sonion equivalent color no. is 348) Tan 02 (closest Sonion equivalent color no. is 119) Light Brown 07 (closest Sonion equivalent color no. is 233) Dark Brown 04 (closest Sonion equivalent color no. is 180)

Faceplate 10IS/12IS/13IS with the CS 73/74 pre-mounted

Parameters	Enter your choices	Guidelines
Faceplate Model		Please enter FP 10IS, 12IS or 13IS
Insert Socket Module Type		Please enter CS 73 or CS 74