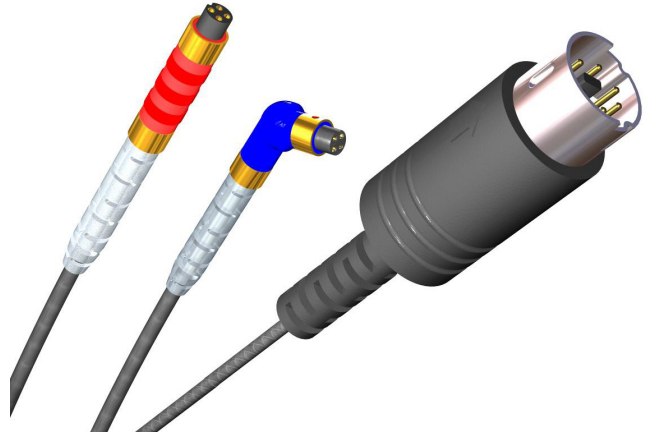


Features

- Available with CS 43, CS 44 or CS 45 plugs in different colors
- Angled or straight plugs
- Custom-made electrical configurations and cable length available upon request
- NOAHlink cables according to HIMSA specifications
- Plug Dimensions according to IEC 118-12:1996



Contents

	Page
History Revision	2
Hi-Pro Cable Style 1	3
Hi-Pro Cable Style 2	4
Hi-Pro Cable Style 3	5
Hi-Pro Cable Style 4	6
NOAHlink Cables	7
CIC Adaptor	8
Product Specification Form	9

Sonion reserves the right to make changes at any time to improve reliability, function or design, in order to provide the best product possible.

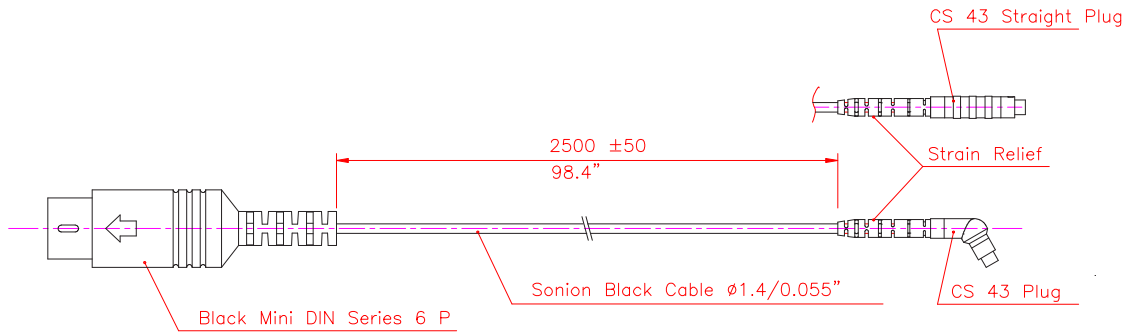
History Revision

Revision Number/Date	Change from last revision
06 / Jan 02	History Revision added. Straight Plug version added
07 / Feb 03	NOAHlink Cables added
08 / Jun 06	Name in Mechanical Configuration drawings corrected
09 / Apr 07	CS 45 availability mentioned in 'Features' section on front page
10 / Jan 08	Layout corrections
MT1002.A (07/08)	No technical updates
011/JUL-22-2009	No technical updates
012/NOV-27-2009	IEC 118-12:1996 information added
013/JUN-16-2011	Tolerances on connector cable lengths added. Cable insulation color changed from red to brown and from yellow to gray

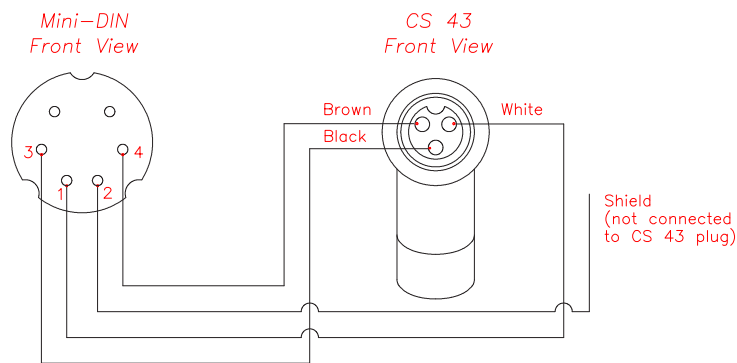
Hi-Pro Cable Style 1

Hi-Pro cable including 6-Pin mini DIN, CS 43 plug and \varnothing 1.4 mm black cable

Mechanical Configuration



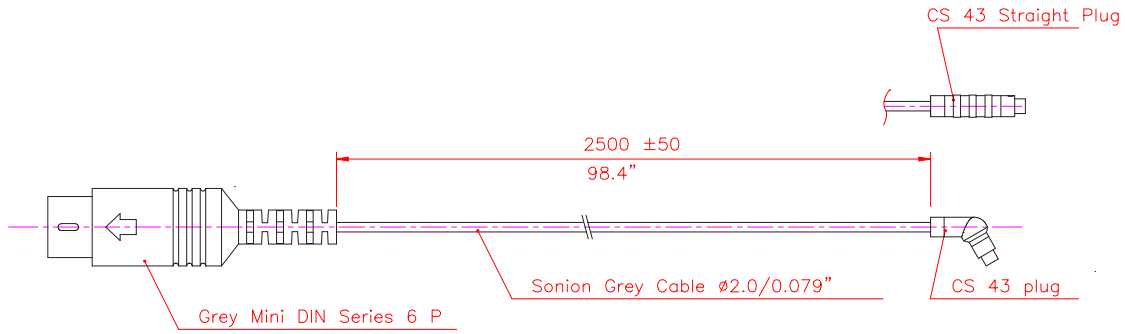
Electrical Configuration



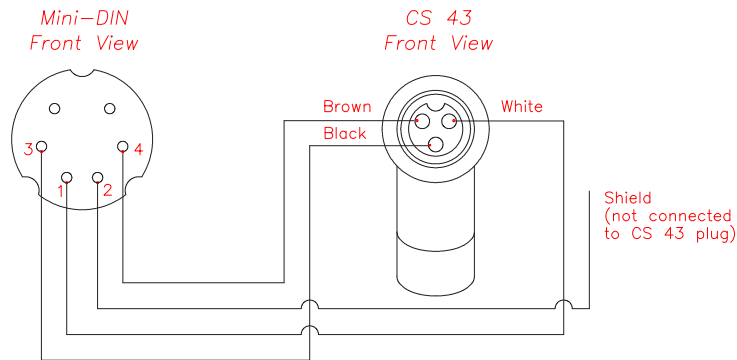
Hi-Pro Cable Style 2

Hi-Pro cable including 6-Pin mini DIN, CS 43 plug and Ø 2.0 mm grey cable

Mechanical Configuration



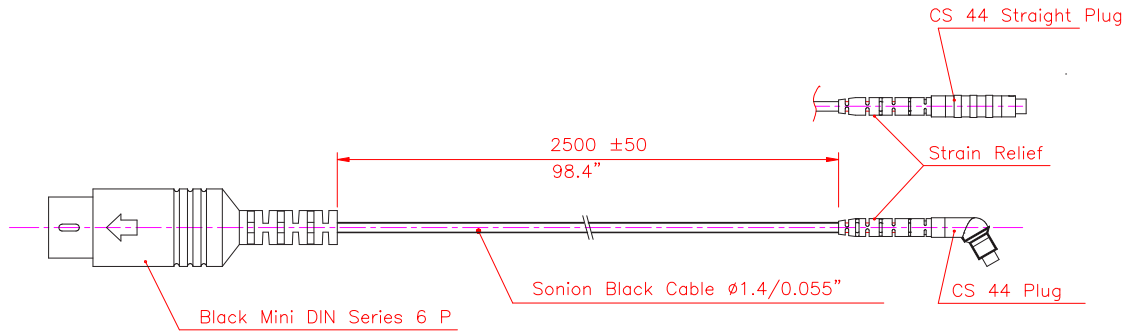
Electrical Configuration



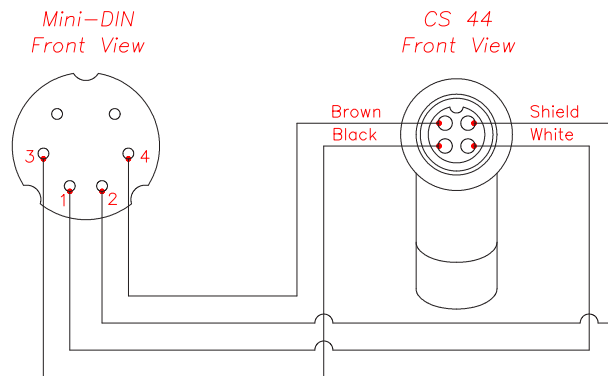
Hi-Pro Cable Style 3

Hi-Pro cable including 6-Pin mini DIN, CS 44 plug and Ø 1.4 mm black cable

Mechanical Configuration



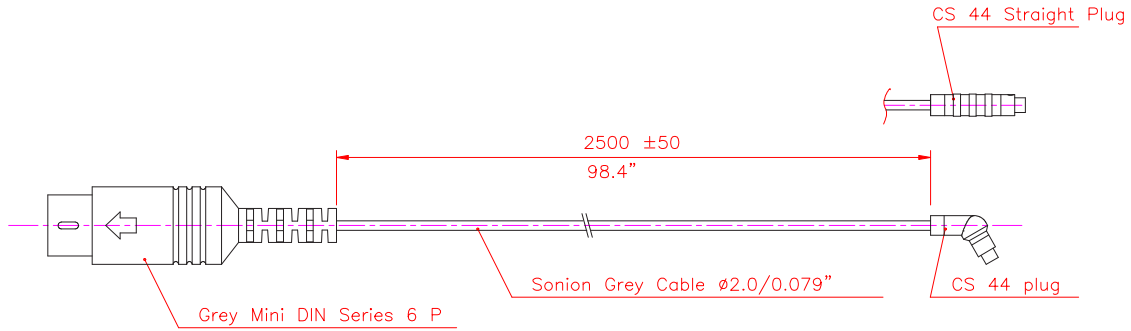
Electrical Configuration



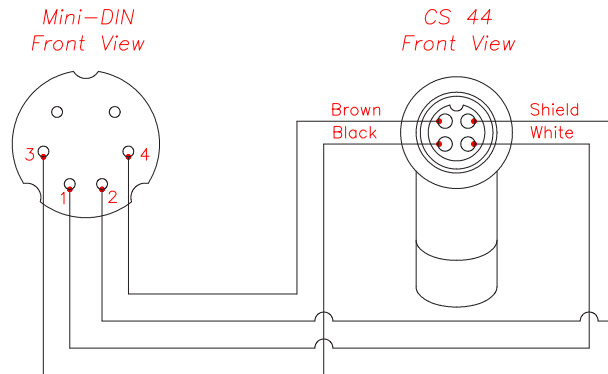
Hi-Pro Cable Style 4

Hi-Pro cable including 6-Pin mini DIN, CS 44 plug and Ø 2.0 mm grey cable

Mechanical Configuration



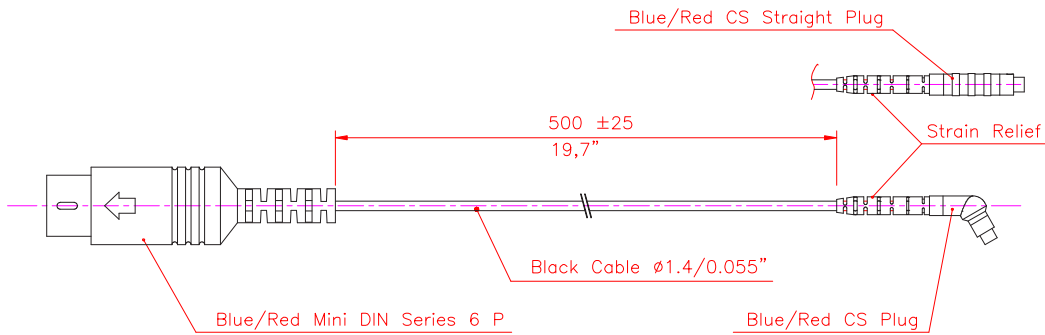
Electrical Configuration



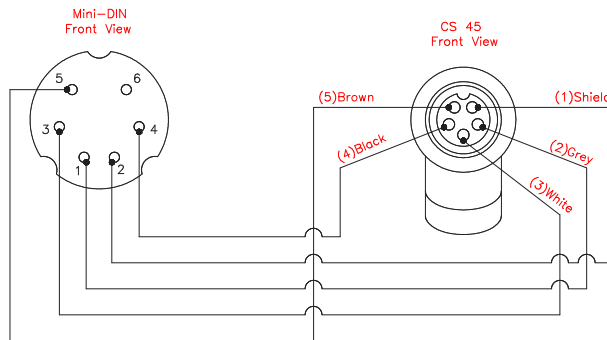
NOAHlink Cables

According to HIMSA specifications

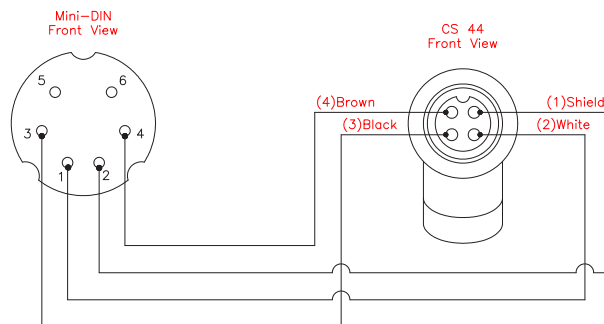
Mechanical Configuration



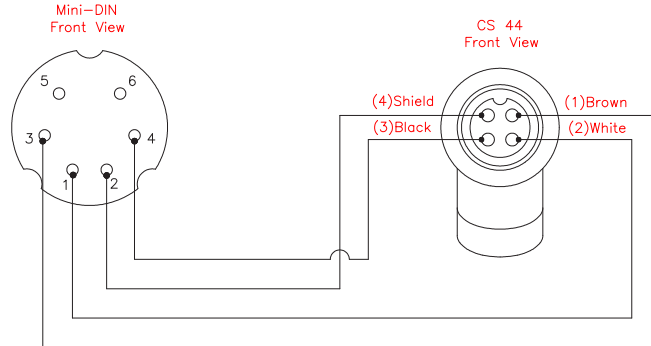
Electrical Configuration NOAHlink Cable #1



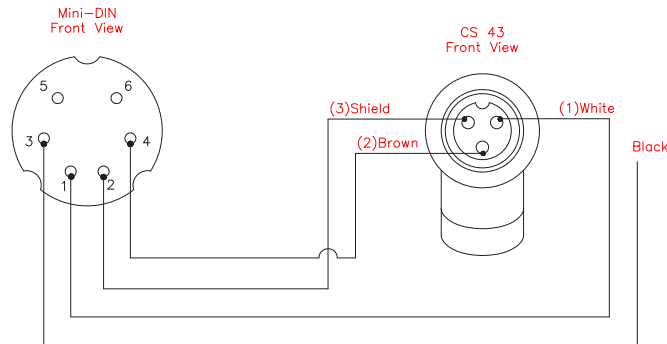
Electrical Configuration NOAHlink Cable #2



Electrical Configuration NOAHlink Cable #4



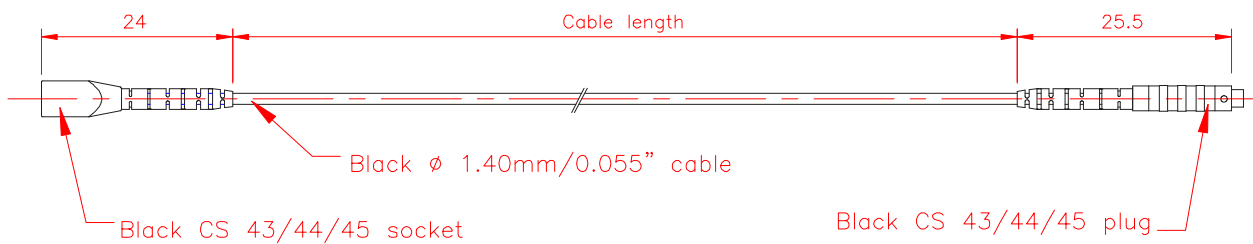
Electrical Configuration NOAHlink Cable #6



CIC Adaptor

Adaptor for establishing connection to a CIC hearing instrument, while placed in the ear.

Mechanical Configuration



Tolerance on 50 or 100 mm cable length: ± 25 mm

Product Specification Form

Name: _____

Company: _____

Customer Part No.: _____

Parameters	Look at Page	Enter your choices	Guidelines
Cable Style	3-7		Please enter HI-Pro Cable Styles 1, 2, 3, 4 or NOAHI-ink Cable #1, 2, 4, 6 or CIC Adaptor
Plug Type	3-7		Please enter angled or straight plug (Not for CIC Adaptor)

HI-Pro Cables only			
CS Plug Plastic Color	3-7		Please refer to color code no. 556 (blue), no. 571 (red), no. 526 (grey) or no. 520 (black) in the Sonion 'Plastic Color Assortment' binder.
Strain Relief Color	3-7		Please enter transparent, blue, red or black. Colors must match plug color. (Only available for Cable Style 1 and 3).
CS Plug Color Coding	3-7		Please see colors for coding in the Sonion 'Plastic Color Assortment' binder. Position of color coding can be found in the data sheet for Plug CS 43/44/45.

NOHALink Cables only			
Plug Color	7		Please enter color code no. 556 (blue) or no. 571 (red).

CIC Adaptor only			
CIC Adaptor Cable Length	8		Please enter 50 mm or 100mm [1.97" or 3.94"]