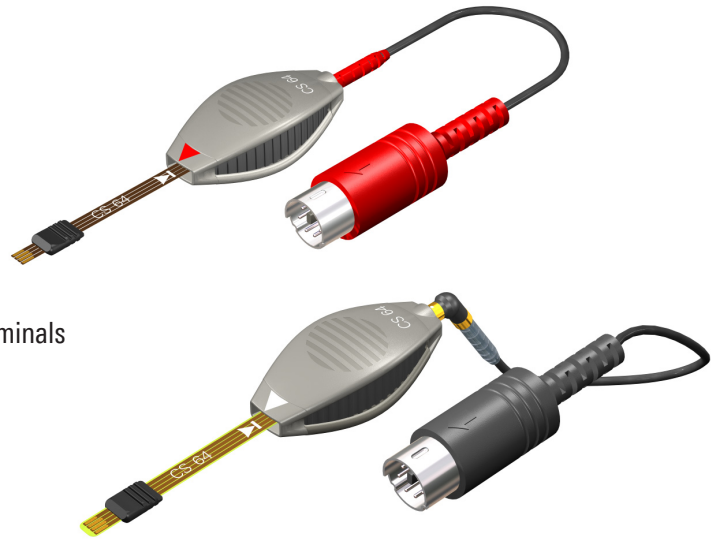


Features

- ⊕ Hi-Pro and NOAHlink compatible cable & Mini-DIN
- ⊕ CS 64 Clip Module / NOAHlink Adaptor #1
- ⊕ Integrated Clip Module - Mini-DIN Cable
- ⊕ Integrated NOAHlink - CS 64 cable
- ⊕ Standardized exchangeable disposable cost effective flex circuit connector
- ⊕ Flex strip is easily mounted in the Clip Module 4 terminals



Contents

	Page
History Revision	2
Mechanical Specifications	3
Electrical Specifications	3
Material Specifications	4
Environmental Conditions	4
Recommended Process Parameters	4
Mechanical Dimensions	5
Electrical Configuration	7
Product Specification Form	8

Sonion reserves the right to make changes at any time to improve reliability, function or design, in order to provide the best product possible.

History Revision

Revision Number/Date	Change from last revision
04 / Feb. 03	History Revision added. NOAHlink - CS 64 Cable and NOAHlink Adaptor #1 added.
05 / May 08	Operational temperature and humidity removed. New data sheet design. New lay-out.
MT1006.A (07/08)	No technical updates
006/JUL-22-2009	Storage humidity added

Mechanical Specifications

Clip Module

Weight	2.5 g
Activation force	Typical 15 N
Retention force, clip module/flex strip	Max. 4.5 N
Lifetime, connection/disconnection of flex	Min. 5,000 cycles

Flex Strip

Minimum bending radius of flex.....	1.0 mm
Tensile strength	Min. 25 N
Torsional elasticity of flex.....	Max. 90° per 15 mm flex

Lifetime:

-Bending	Min. 1,500 cycles. ±45° bending angle. 0.25 N load and 5 mm bending radius (HI Connector)
-Torsion.....	Min. 500 cycles. Torsion angle ±90° per 15 mm, 5 mm radius of the fixing vice and load 1 N

Electrical Specifications

Clip Module

Continuous current.....	Max. 150 mA
Insulation resistance between leads	Min. 1 MΩ

Flex Strip

Contact resistance.....	Max. 500 mΩ
Current.....	Max. 150 mA
Peak current (1 sec.).....	250 mA
Voltage.....	Max. 50 V
Insulation resistance between leads	Min. 1 MΩ

Material Specifications

All materials comply with RoHS directive (2002/95/EC)



Clip Module

Housing	ABS
Contact module.....	PA
Metal parts	CuSn, gold plated
Sockets	Standard CS 44

Flex Strip

Base material.....	Polyimid
Conductive layer	Cu, rolled annealed
Contact pads	Gold plated
Stop guide.....	PA

Lubricant, glue / seal, and paint specifications are proprietary information.

Environmental Conditions

Storage temperature	-25 to +75°C
Storage humidity.....	10 to 95% RH

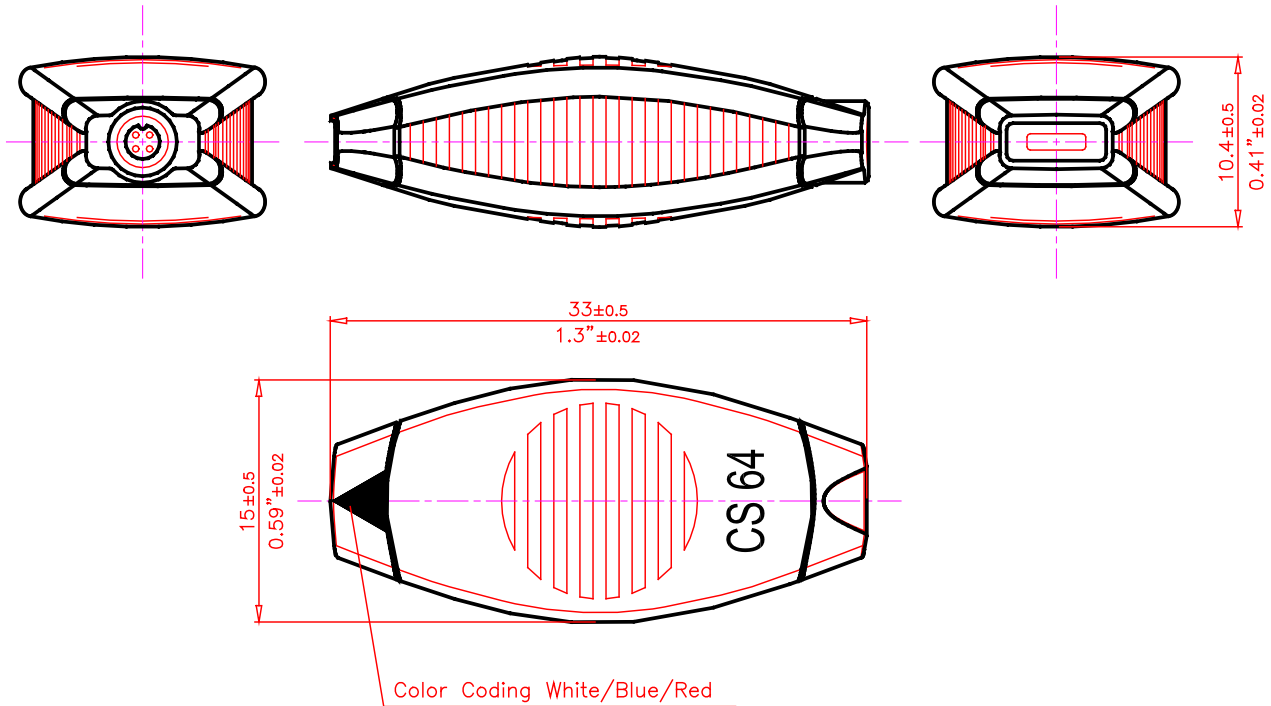
Recommended Process Parameters

Cleaning:	
Cleaning solvents	Benzine

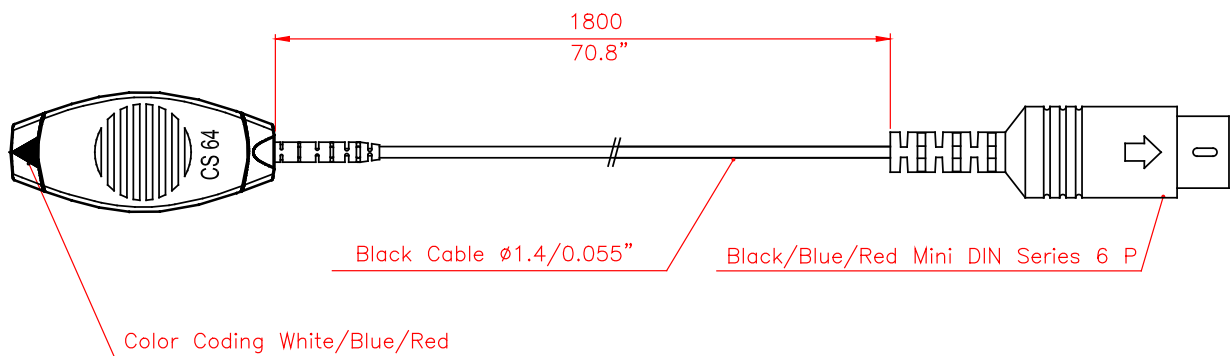
Do not use alcohol-based solvents.

Mechanical Dimensions

CS 64 Clip Module / NOAHlink Adaptor #1



CS 64 Clip Module - Mini-DIN Cable



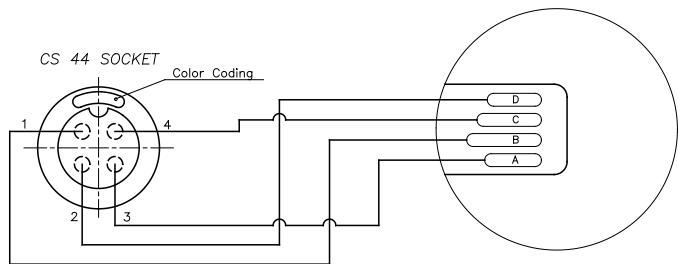
Electrical Configuration

Socket & DIN

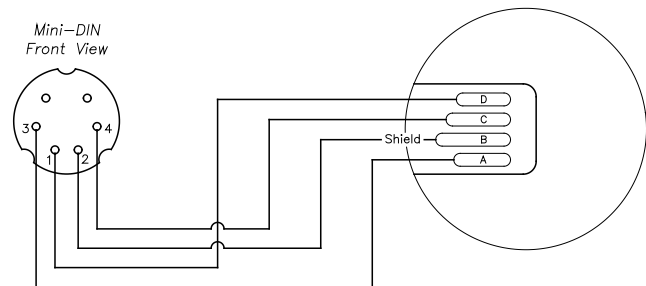
To get the same configuration as the mini-DIN version, you have to choose the CS 64 Socket version together with the CS 44 Hi Pro Cable Style 3.

Please refer to 'Cable Assemblies' Data Sheet

CS 64 Clip Module / NOAHlink Adaptor #1



CS 64 Mini-DIN Cable to Flex Strip



CS 64 Flex Strip



Product Specification Form

Name: _____

Company: _____

Customer Part No.: _____

Parameters	Look at Page	Enter your choices	Guidelines
Model	1		CS 64 Clip Module NOAHlink Adaptor #1 CS 64 Mini-DIN Cable NOAHlink - CS 64 Cable
Color coding CS 64 Clip Module	5		White, blue or red
Color Coding NOAHlink Adaptor #1	5		Blue or red
Color Coding CS 64 Mini-DIN Cable	5		Blue or red on Clip Module and DIN Plug White on Clip Module and black DIN Plug
Color Coding NOAHlink - CS 64 Cable	6		Blue or red on Clip Module and DIN Plug