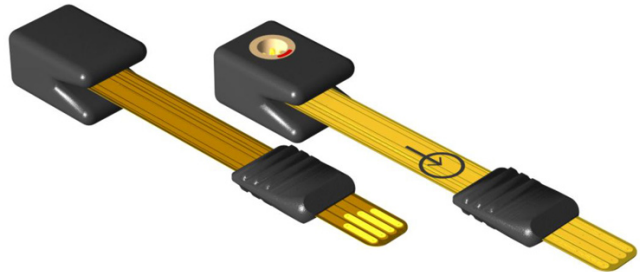


Features

- ⊕ Space saving solution - no programming socket
- ⊕ The system do not require the battery or the battery door to be removed during the programming
- ⊕ The contact terminals are well protected inside the instrument
- ⊕ NOAHlink Adaptor #3 is equivalent to CS 54



Contents

	Page
History Revision	2
Mechanical Specifications	3
Electrical Specifications	3
Material Specifications	3
Environmental Conditions	3
Recommended Process Parameters	3
Mechanical Dimensions	4
Stop Guides	5
Electrical Configuration	6
Plastic Colors	7
Color Coding	7
Product Specification Form	8

Sonion reserves the right to make changes at any time to improve reliability, function or design, in order to provide the best product possible.

History Revision

Revision Number/Date	Change from last revision
04 / Jan. 02	History Revision added. New dimension drawings added. Stop guide drawings added. Flex strip width corrected to 3.52 mm. Dimensional drawings updated.
05 / Feb. 03	NOAHlink Adaptor #3 equivalent to CS 54 added. Flex Strip thickness added.
06 / Apr. 08	Storage humidity added. Operational temperature and humidity removed. New data sheet design. New lay-out.
MT1003.A (07/08)	No technical updates
007/JUL-22-2009	No technical updates
008/FEB-09-2010	CS 53 Mechanical Dimension drawing updated
009/JUN-07-2010	Stop-bar removed. CS 53 Mechanical Dimension drawing updated

Mechanical Specifications

Weight of unit	Min. 3.0 g, Max. 8.0 g
Minimum bending radius of flex.....	> 1 mm
Tensile strength	Max. 25 N
Torsion of flex.....	Max. 90° per 15 mm flex
Lifetime:	
-Insertion	Min. 2000 cycles.

Electrical Specifications

Contact resistance.....	Max. 500 mΩ
Current	Max. 150 mA
Peak current	250 mA for 1 s
Voltage.....	Max. 50 V
Insulation resistance between leads	Min. 1 MΩ

Material Specifications

All materials comply with RoHS directive (2002/95/EC)



Base material.....	Polyimid
Conductive layer	Cu, rolled annealed
Contact pads.....	Gold plated
Carrier	PA
Stop guide.....	Polymer
Socket.....	Standard CS 44

Lubricant, glue / seal, and paint specifications are proprietary information.

Environmental Conditions

Storage temperature	-40 to + 60°C
Storage humidity.....	10 to 95% RH

Recommended Process Parameters

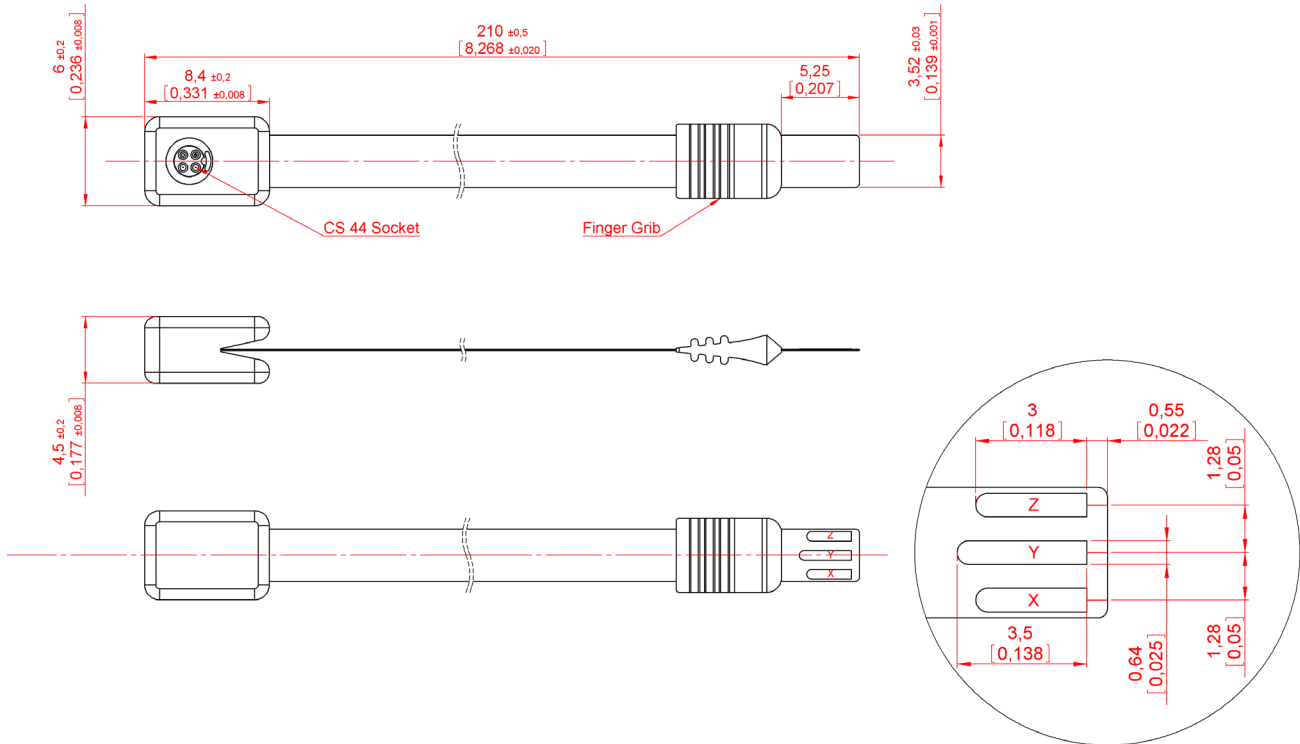
Cleaning:

Cleaning solvents	Benzine
-------------------------	---------

Do not use alcohol-based solvents.

Mechanical Dimensions

CS 53

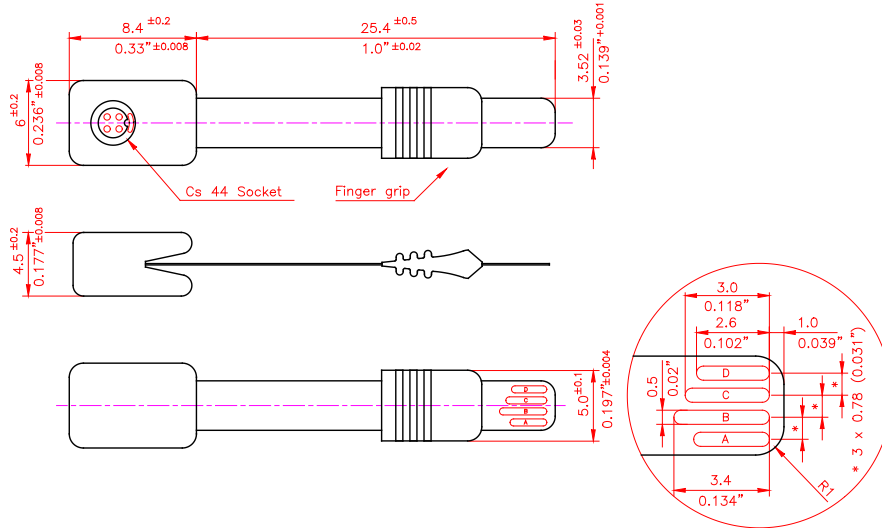


Thickness of contact pad area: 0.1025 ± 0.0125 mm [0.00404 ± 0.00049 "]
 Thickness of flex strip outside contact pad area: 0.085 ± 0.015 mm [0.00335 ± 0.00059 "]

Note:

The standard measurement tolerance on the drawings is ± 0.05 mm/[0.002"] and $\pm 2^\circ$. Tolerances which differ from this value will be indicated on the drawings.

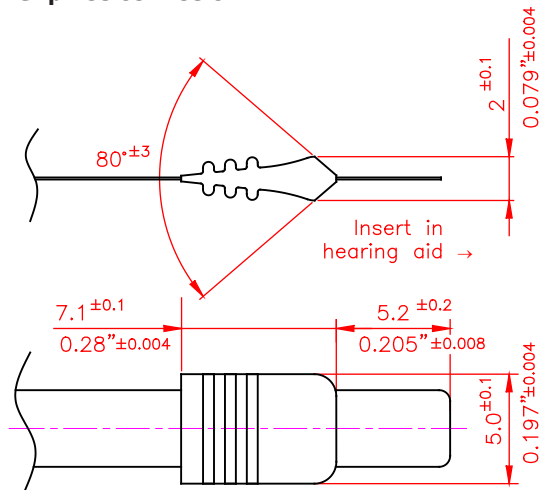
CS 54 / NOAHLink Adaptor #3



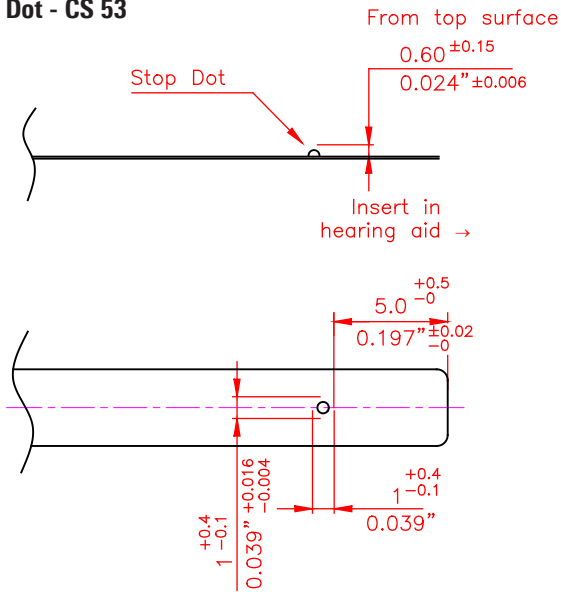
Thickness of contact pad area: 0.1025 ± 0.0125 mm [0.00404 ± 0.00049 "]
 Thickness of flex strip outside contact pad area: 0.085 ± 0.015 mm [0.00335 ± 0.00059 "]

Stop Guides

Finger Grip - CS 53 & CS 54

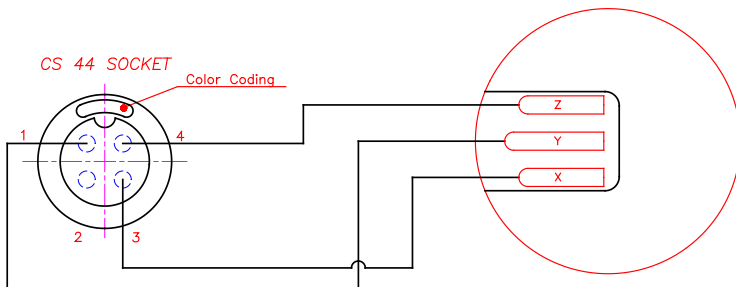


Stop Dot - CS 53

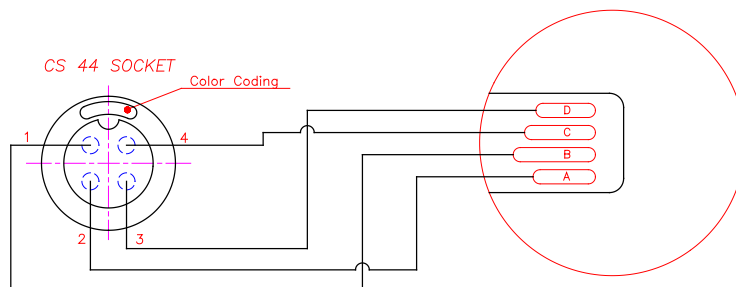


Electrical Configuration

CS 53



CS 54 / NOAHlink Adaptor #3



Plastic Colors

Carrier Black

Color Coding

Socket Red

Product Specification Form

Name: _____

Company: _____

Customer Part No.: _____

Parameters	Look at Page	Enter your choices	Guidelines
Model	1		Please enter CS 53 or CS 54
Stop Guides	6-7		CS 53: Please enter dot or finger grip CS 54: Please enter finger grip